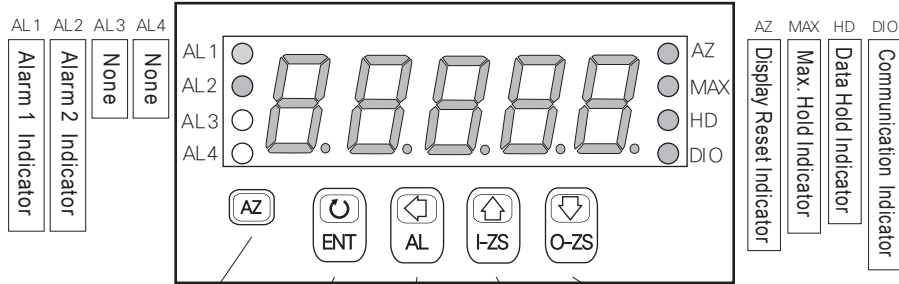


KEY FUNCTIONS



Function Key    Enter Key & Save Key    Shift Key & Alarm Setting Key    Up Key & Display Setting Key    Down Key & A/O Setting Key

Measuring Status

Parameter Page

Parameter Setting

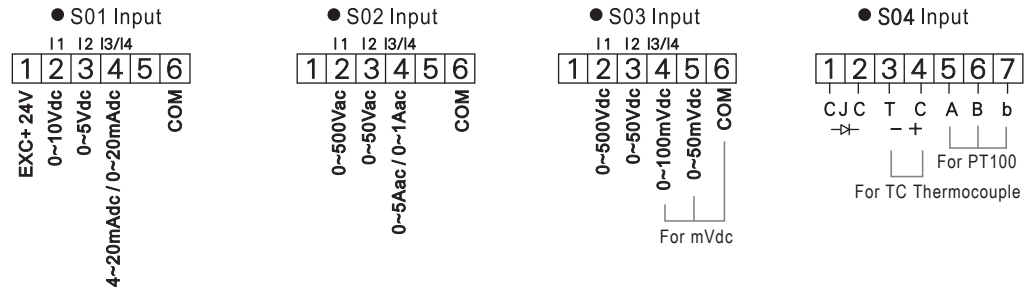
Enable the setting function	Enter to parameter groups	Hold for 3 sec. enter to Alarm Setpoint Modification	Hold for 3 sec. enter to Display Group Setting	Hold for 3 sec. enter to A/O Group Setting.	<p>In any status can back to measuring status</p>
ALrSt.oFF nR4, R7, Hd	Save the value	Enter to parameter setting	Back to the last parameter page	Go to the next parameter page	
		Move the cursor left	Increase the digit	Decrease the digit	

ERROR CODE OF SELF-DIAGNOSIS

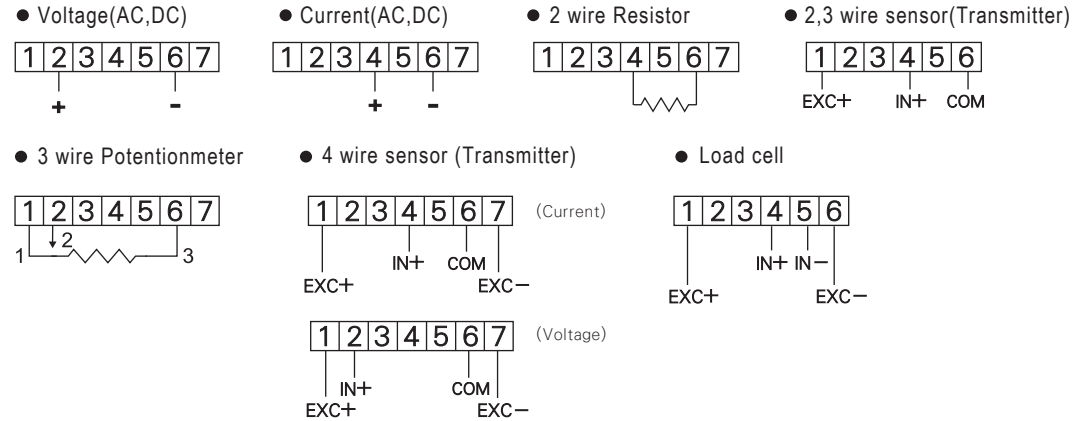
- 10FL** Input signal is over 120% of input range.
- 10FL** Input signal is under -10% of input range.
- RdEr** Input signal is over 180% of input range or meter error.
- daFL** Input signal is over display range (9999).
- daFL** Input signal is under display range (-9999).
- E-00** EEPROM reading / writing suffers the interference ( about 1 million times).

WIRING CONNECTION

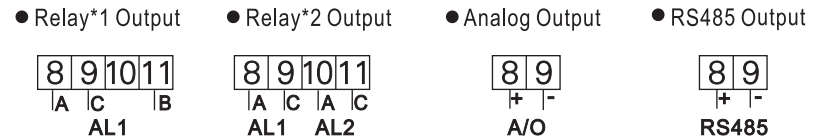
Compound Input (S01,S02,S03,S04)



Input Function



Output Function



Power

