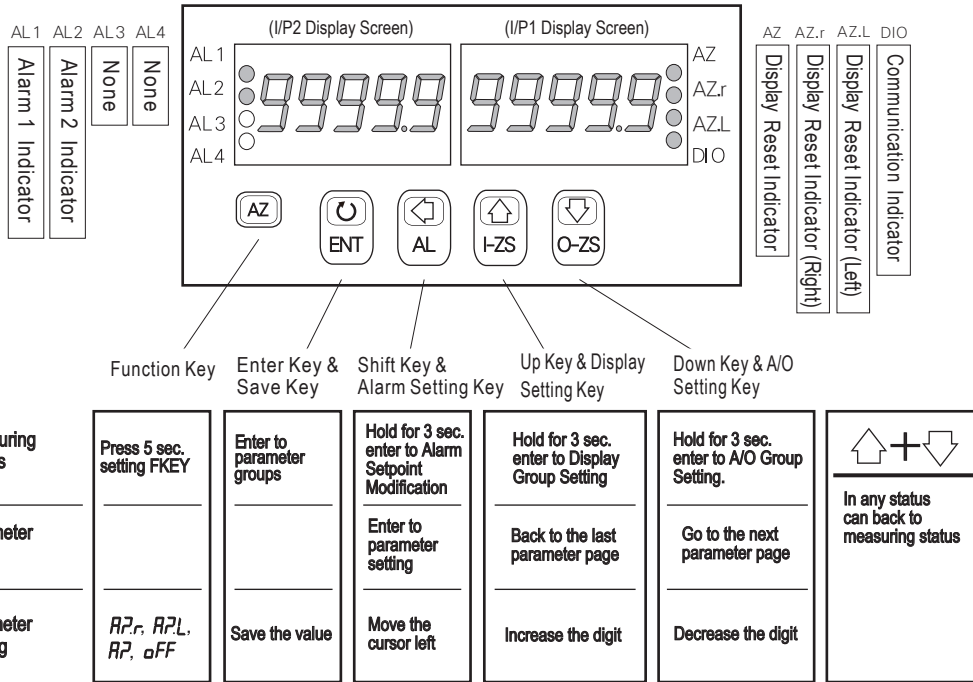


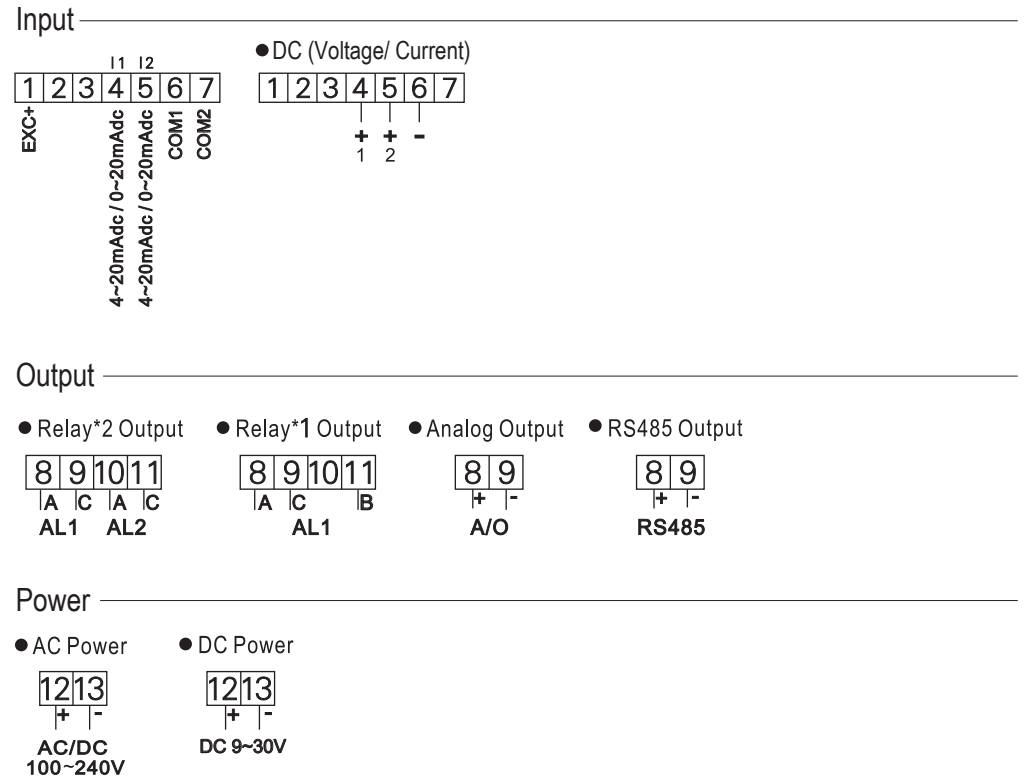
KEY FUNCTIONS

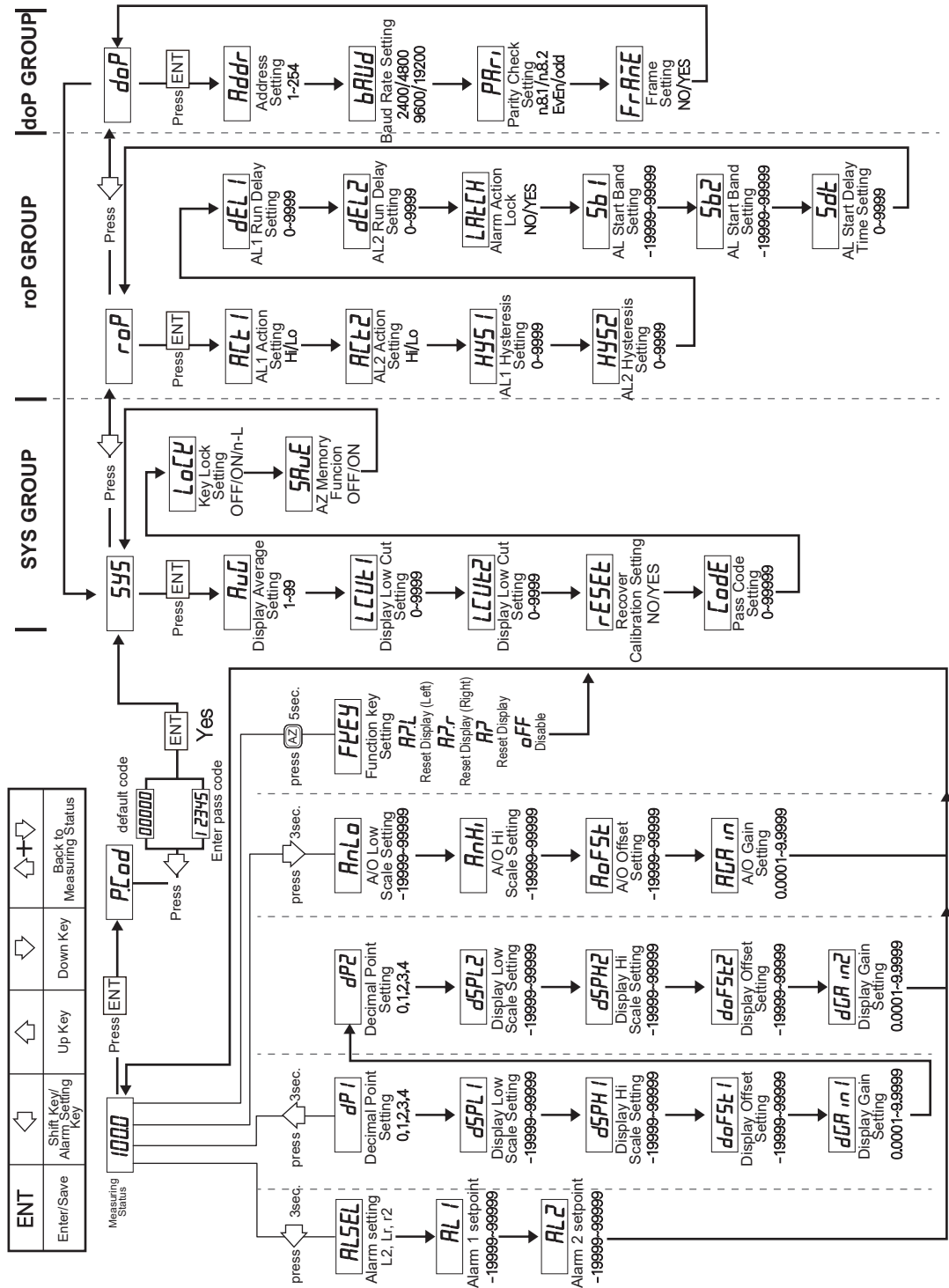


ERROR CODE OF SELF-DIAGNOSIS

- oFL** Input signal is over 120% of input range.
- oFL** Input signal is under -10% of input range.
- RdEr** Input signal is over 180% of input range or meter error.
- doFL** Input signal is over display range (999999).
- doFL** Input signal is under display range (-199999).
- E-oo** EEPROM reading / writing suffers the interference (about 1 million times).

WIRING CONNECTION





MODBUS RTU MODE PROTOCOL ADDRESS TABLE

Modbus	HEX	Name	Descriptions	Act
40001	0000	DISPLAY1	(For MA4)Input 1 current display; range: 0000~7FFFF(0~32767)	R
40002	0001	DISPLAY2	(For MA4)Input 2 current display; range: 0000~7FFFF(0~32767)	R
40003	0002			
40004	0003	DP1	Input 1 decimal point setting; range: 0000~0004(0~4)	R/W
40005	0004	DP2	Input 2 decimal point setting; range: 0000~0004(0~4)	R/W
40006	0005	BAUD	Baud rate setting; range: 0000~0003(0~3)	R/W
40007	0006	PARI	Parity setting; range: 0000~0003(0~3)	R/W
40008	0007	AVG	Display average setting; range: 0000~0063(1~99)	R/W
40009	0008			
40010	0009	ADDR	Address setting; range: 0001~00FF(0~254)	R/W
40011	000A	LCUT1	Display 1 low cut setting; range: 0000~270F(0~9999)	R/W
40012	000B	LCUT2	Display 2 low cut setting; range: 0000~270F(0~9999)	R/W
40013	000C			
40014	000D			
40015	000E			
40016	000F			
40017	0010			
40018	0011	CODE	Pass code setting; range: 00000000~0001869F(0~99999) Hi Bit	R/W
40019	0012		Pass code setting; range: 00000000~0001869F(0~99999) Low Bit	R/W
40020	0013	DSPL1	Input 1 display low scale setting; range: FFFFB1E1~0001869F(-19999~99999) Hi Bit	R/W
40021	0014		Input 1 display low scale setting; range: FFFFB1E1~0001869F(-19999~99999) Low Bit	R/W
40022	0015	DSPH1	Input 1 display hi scale setting; range: FFFFB1E1~0001869F(-19999~99999) Hi Bit	R/W
40023	0016		Input 1 display hi scale setting; range: FFFFB1E1~0001869F(-19999~99999) Low Bit	R/W
40024	0017	DSPL2	Input 2 display low scale setting; range: FFFFB1E1~0001869F(-19999~99999) Hi Bit	R/W
40025	0018		Input 2 display low scale setting; range: FFFFB1E1~0001869F(-19999~99999) Low Bit	R/W
40026	0019	DSPH2	Input 2 display hi scale setting; range: FFFFB1E1~0001869F(-19999~99999) Hi Bit	R/W
40027	001A		Input 2 display hi scale setting; range: FFFFB1E1~0001869F(-19999~99999) Low Bit	R/W
40028	001B	AL1	Alarm 1 setpoint setting; range: FFFFB1E1~0001869F(-19999~99999) Hi Bit	R/W
40029	001C		Alarm 1 setpoint setting; range: FFFFB1E1~0001869F(-19999~99999) Low Bit	R/W
40030	001D	AL2	Alarm 2 setpoint setting; range: FFFFB1E1~0001869F(-19999~99999) Hi Bit	R/W
40031	001E		Alarm 2 setpoint setting; range: FFFFB1E1~0001869F(-19999~99999) Low Bit	R/W
40032	001F			
40033	0020			
40034	0021			
40035	0022			
40036	0023	DISPLAY1	Input 1 current display; range: FFFFB1E1~0001869F (-19999~99999) Hi Bit	R
40037	0024		Input 1 current display; range: FFFFB1E1~0001869F (-19999~99999) Low Bit	R
40038	0025	DISPLAY2	Input 2 current display; range: FFFFB1E1~0001869F (-19999~99999) Hi Bit	R
40039	0026		Input 2 current display; range: FFFFB1E1~0001869F (-19999~99999) Low Bit	R