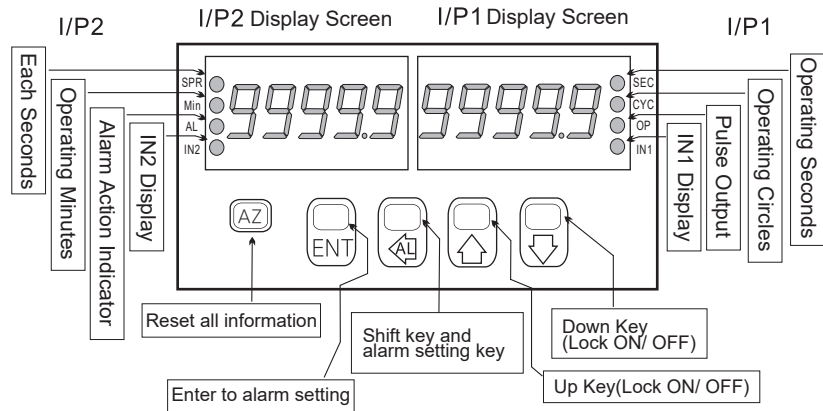
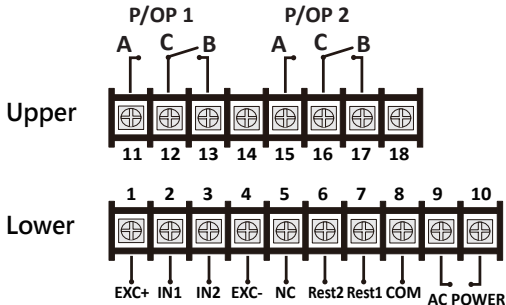


Front Panel and Function Key Descriptions



Key Name	Symbol	Description
Reset		Reset all information.
Enter to alarm setting	ENT	Enter to alarm setting.
Shift key and alarm setting key		Press this key can move the cursor left. (In Alarm setting)
Up key		Press to alternative display mode, in alarm setting: value +1. Press to lock display of "LOCK ON" and press "LOCK OFF" to release.
Down key		Press to alternative display mode, in alarm setting: value -1. Press to lock display of "LOCK ON" and press "LOCK OFF" to release.

Wiring Connection



Terminal block:

Pulse/OP : Pulse output  
Alarm : Alarm output

EXC+ : Power +      Rest2 : IN2 reset  
IN1 : Signal Input1   Rest1 : IN1 reset  
IN2 : Signal Input2   COM : Common  
EXC- : Power -      AC POWER: Power Input

Operating Sequence and Descriptions

Programming Mode Operating Procedures	Display Definition	Modifying Parameter and Procedure Discriptions	Default
		Alarm Setpoint Setting	
press [ENT] →	10000	Measuring Status	
press [ENT] →	AL1	Alarm 1 setpoint (AL1)	00000
press [ENT] →	AL2	Alarm 2 setpoint (AL1)	00000
press [ENT]			

