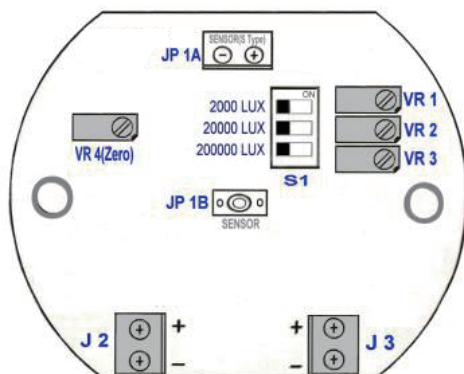


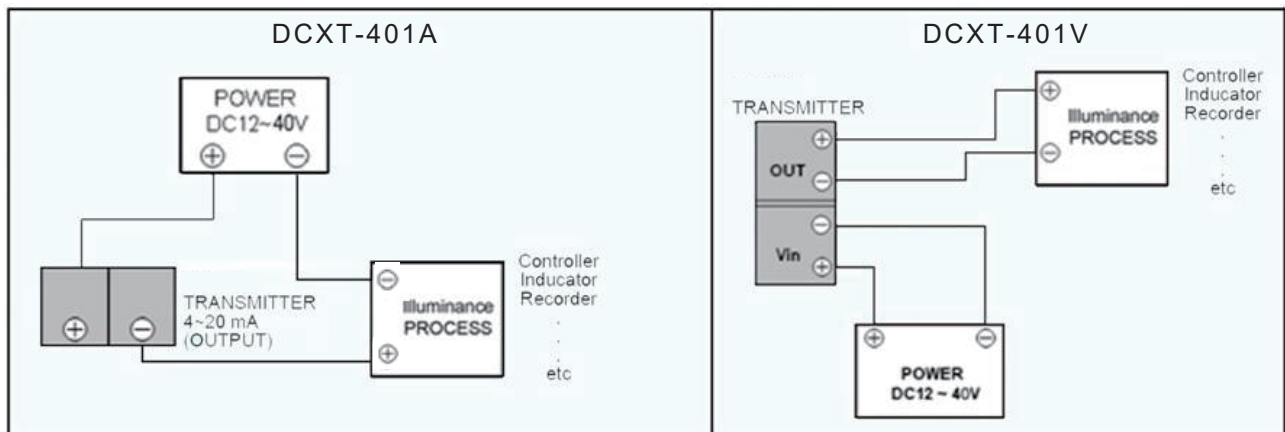
Setting range/ Signal Output

Range	Setting (S 1)	Current	Voltage
L: 0 ~ 2,000 LUX		4 ~ 20 mA	DC: 0 ~ 1V, 0 ~ 2V, 0 ~ 5V, 0 ~ 10V (Option)
M: 0 ~ 20,000 LUX		4 ~ 20 mA	
H: 0 ~ 200,000 LUX		4 ~ 20 mA	

Wiring



- DCXT-401A (Current Output)
J2: Output: 4 ~ 20mA Two wire
Power supply: 12~40VDC
- DCXT-401V (Voltage Output)
J2: Power In: 12~ 40VDC °
J3: Output (DCV) : 0 ~ 1V, 0 ~ 2V
0 ~ 5V, 0~10V
- SENSOR: JP1A (For External Sensor)
JP1B (For Built-In Sensor)



On-site Calibration & range selecting

- VR 4 (Zero): Zero Adjustment
- VR 1,2,3 (Span): Span Adjustment

S1 Setting range	Span Adjustable range
L : 0~2,000 LUX	VR1 : 2,000 LUX
M : 0~20,000 LUX	VR2 : 20,000 LUX
H : 0~200,000 LUX	VR3 : 200,000 LUX