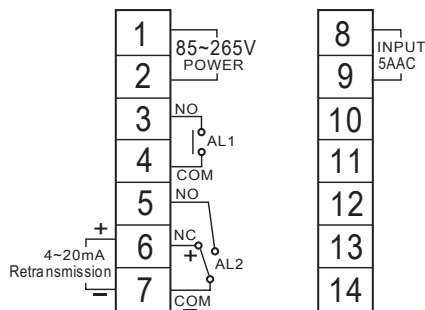


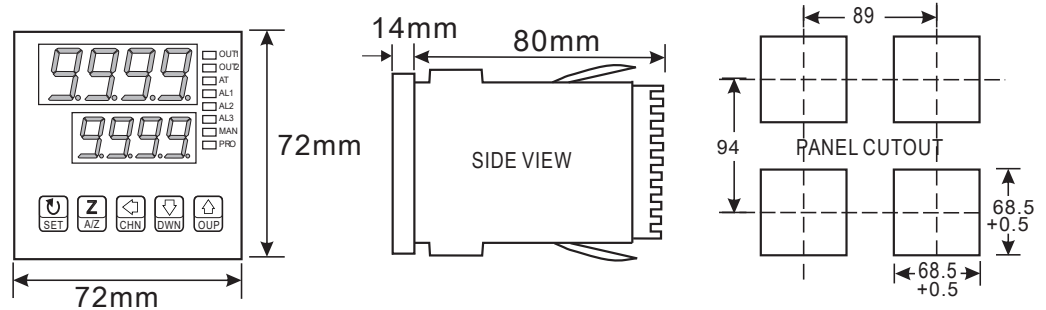
- A/M (AZ/MAN) key for reset function
- 0~5A CT parameter programmable
- 3 Alarms output, 10 alarm modes selection
- Timing differential HI(Lo) function available, prevent alarm malfunction



**WIRING CONNECTION**



**DIMENSION**



**ALARM MODE**

Code (AD)	Description	Code (AD)	Description
0	Differential Hi Alarm	5	Outside area Alarm
1	Differential Low Alarm	6	(Disconnection) Timing Differential Low Alarm (No on at 1st alarm)
2	Absolute Hi Alarm	7	Absolute Lo Alarm (No on at 1st alarm)
3	Absolute Low Alarm	9	(Overflow) Timing Differential Hi Alarm
4	Inside area Alarm	10	Outside area Alarm (No on at 1st alarm)