

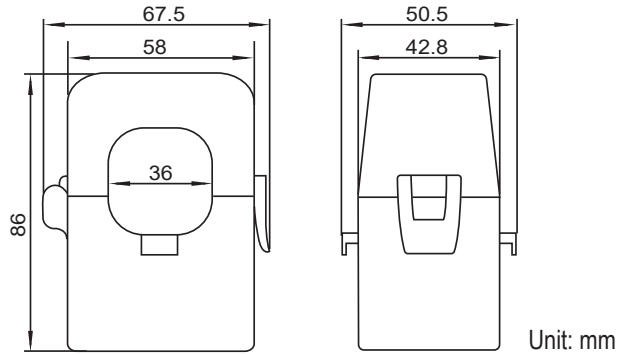
- T-series.(Wire length 1M)
- Split Core, easy installation(36mm).
- Primary Input 400A~600A.
- Secondary output 1Aac/ 5Aac.
- Safe operation.
- Please do not use while the circuit is open.
Be sure to connect the load device at first.



SPECIFICATION

- ◆ Frequency: 50~60 Hz
- ◆ Rated Current: 400A to 600A loads
- ◆ Rated Output: 1A/ 5A (AC)
- ◆ Accuracy: Class 0.5: 200A, 250A, 300A, 400A, 500A, 600A
Class 1.0: 100A, 150A
0.8: 250A, 300A, 400A, 500A, 600A
- ◆ Phase angle: 1.0: 100A, 150A, 200A/
0.8: 250A, 300A, 400A, 500A, 600A
- ◆ Insulation Voltage: 600 Vac
- ◆ Max. Primary Voltage: 5000 Vac (Insulated Conductor)
- ◆ Dielectric Strength: 2.0KV/ 50Hz/ 1min
- ◆ Operating Temp.: -30°C to 70°C
- ◆ Operating Humi.: <85%
- ◆ Case Material: PC/UL94~V0
- ◆ Bobbin: PBT
- ◆ Core: Pure copper
- ◆ Internal Structure: Epoxy
- ◆ Burden: 100/ 1A Ø36mm 100/ 5A Ø36mm
150/ 1A Ø36mm 150/ 5A Ø36mm
200/ 1A Ø36mm 200/ 5A Ø36mm
250/ 1A Ø36mm 250/ 5A Ø36mm
300/ 1A Ø36mm 300/ 5A Ø36mm
400/ 1A Ø36mm 400/ 5A Ø36mm
500/ 1A Ø36mm 500/ 5A Ø36mm
600/ 1A Ø36mm 600/ 5A Ø36mm

DIMENSION



ORDER INFORMATION

DCSCT-36T - Code1 - Code2 - Code3

Code1	Input Signal	Code2	Output	Code3	Wire Length
100	100 Aac	1	1 Aac	N	1 M
150	150 Aac	5	5 Aac	O	Option
200	200 Aac				
250	250 Aac				
300	300 Aac				
400	400 Aac				
500	500 Aac				
600	600 Aac				