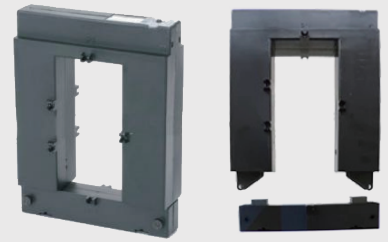


- B-series.(Barrier terminal strips)
- Split Core, easy installation(160mm).
- Primary Input 1000A~6000A.
- Secondary output 5Aac.
- Safe operation.
- Please do not use while the circuit is open.
Be sure to connect the load device at first.



SPECIFICATION

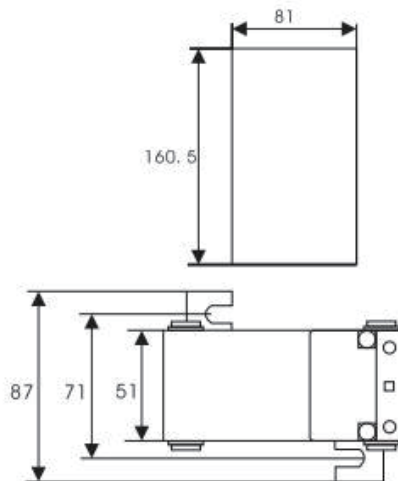
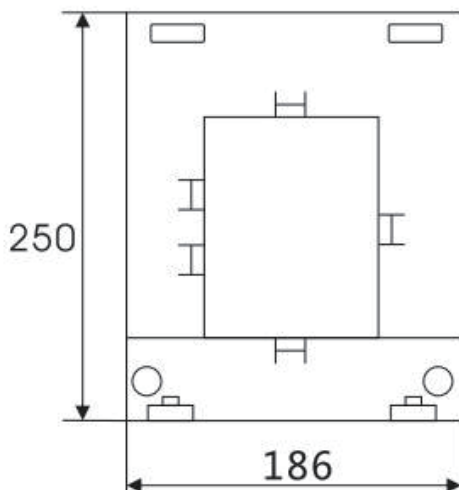
- ◆ Frequency: 50~60 Hz
- ◆ Rated Current: 1000A to 6000A loads
- ◆ Rated Output: 5A (AC)
- ◆ Accuracy: Class 0.5: 1000A, 1500A, 2000A, 2500A, 3000A, 4000A, 5000A, 6000A
- ◆ Rated Load: 5VA: 1000A / 7.5VA: 1500A / 10VA: 2000A / 15VA: 2500A / 20VA: 3000A. 4000A. 5000A. 6000A
- ◆ Insulation Voltage: 600 Vac
- ◆ Max. Primary Voltage: 5000 Vac (Insulated Conductor)
- ◆ Dielectric Strength: 3.0KV/ 50Hz/ 1min
- ◆ Operating Temp.: -30°C to 75°C
- ◆ Operating Humi.: <90%
- ◆ Case Material: PC/UL94-V0
- ◆ Bobbin: PBT
- ◆ Core: Pure copper
- ◆ Internal Structure: Epoxy
- ◆ Burden: 1000/ 5A Ø160mm 3000/ 5A Ø160mm
1500/ 5A Ø160mm 4000/ 5A Ø160mm
2000/ 5A Ø160mm 5000/ 5A Ø160mm
2500/ 5A Ø160mm 6000/ 5A Ø160mm

ORDER INFORMATION

DCSCT-160B - 代碼1 - 代碼2

碼1	輸入訊號	碼2	輸出訊號
1000	1000 Aac	5	5 Aac
1500	1500 Aac		
2000	2000 Aac		
2500	2500 Aac		
3000	3000 Aac		
4000	4000 Aac		
5000	5000 Aac		
6000	6000 Aac		

DIMENSION



Unit: mm