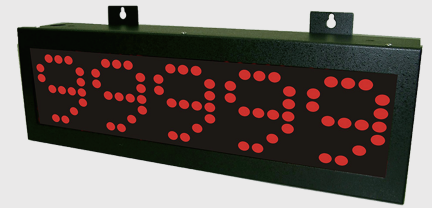


- Accuracy: $\pm 0.2\%$ F.S. $\pm 0.5^{\circ}\text{C}$ (Cold junction compensation)
- Measuring Temperature (TC) sensors for K, J, E, R, S, B, T
- High brightness 10cm LED, display range: 0~99999; decimal point selectable
- 6M distance remote control available for parameters setting
- High stability, non-flammable case (PC), high safety
- Invisible wire connection, easily installation

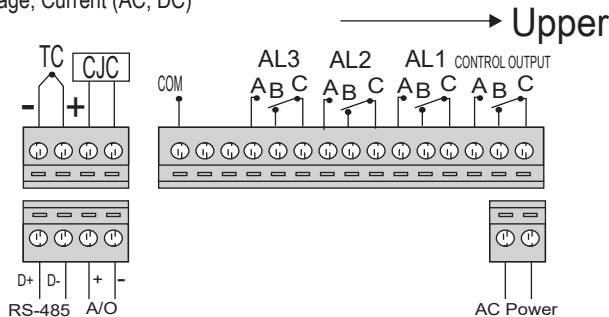


SPECIFICATION

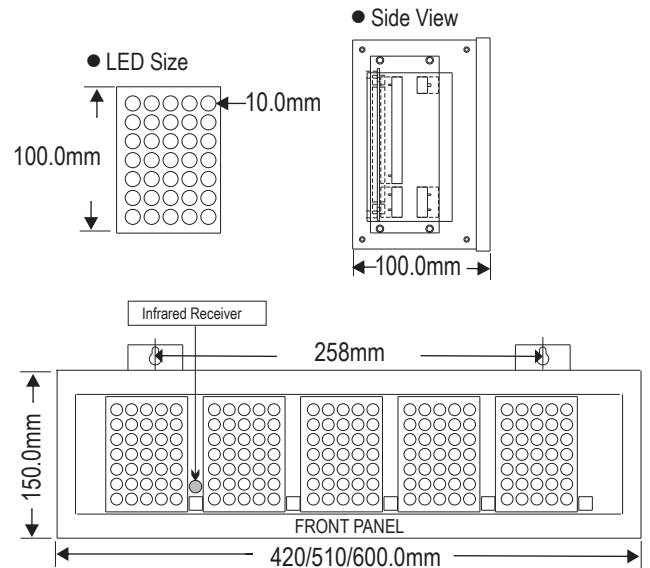
- | | | | |
|-----------------------------|---|----------------------------|--|
| ◆ Accuracy: | $\pm 0.2\%$ F.S. $\pm 0.5^{\circ}\text{C}$ (Cold junction compensation) | ◆ Output Capability: | Voltage Output: <20mA
Current Output: <10V |
| ◆ Display Screen: | High brightness red LED; 10cm (4") | ◆ Communication: | RS-485 Modbus RTU mode |
| ◆ Sampling Cycle: | 60 cycles / sec | ◆ Baud Rate: | 19200 / 9600 / 4800 / 2400 bps |
| ◆ Display Range: | -19999~99999 | ◆ Parity Check: | n.8.2. / n.8.1. / odd / even |
| ◆ Zero Adjustment: | $\geq \pm 10\%$ | ◆ Temperature Coefficient: | 100ppm / $^{\circ}\text{C}$ (0~60 $^{\circ}\text{C}$) |
| ◆ Over Range Indication: | DO / IO or -DO / -IO | ◆ Operating Temperature: | 0~60 $^{\circ}\text{C}$ |
| ◆ Polarity Indication: | Automatic with "-" indication | ◆ Operating Humidity: | 20~90% RH (non-condensing) |
| ◆ Parameters Setting: | Infrared Remote Control | ◆ Storage Temperature: | -10~70 $^{\circ}\text{C}$ |
| ◆ Back Up Memory: | EEPROM | ◆ Storage Humidity: | 20~90% RH (non-condensing) |
| ◆ Alarm Action: | " \geq (Hi) on" or "< (Lo) on" | ◆ Power Supply: | AC/DC 100~240VV |
| ◆ Alarm Run Delay Time: | 0~99 sec | ◆ Power Consumption: | <10VA (all functions output) |
| ◆ Relay Contact: | AC 277V / 7A; DC 30V / 7A | ◆ Surge Test: | 1.5KVac / 1min (Input / Power) |
| ◆ Analog Output Resolution: | 15 bit | ◆ Input Impedence: | Voltage: >2V for 20K / V; 2V for >200M |
| ◆ Output Response Time: | <250 msec (0~90%) | | Current: 0.2A at 100mV; <0.2A at 1V |

WIRING CONNECTION

- Voltage, Current (AC, DC)



DIMENSION



ORDER INFORMATION

GBMT - [Code 1] - [Code 2] - [Code 3] - [Code 4] [Code 5] [Code 6] [Code 7] [Code 8]

Code 1	Digits	Code 1	Input Type	Code 2	Aux. Power	Code 3	Control Output	Code 5	Alarm Output	Code 6	Analog Output	Code 7	RS-485	Code 8	Case size
3	3 Digits	B	200~1800 $^{\circ}\text{C}$	A	AC/DC 100~240V	N	None	N	None	N	None	N	None	3	3 digits
4	4 Digits	E	-185~990 $^{\circ}\text{C}$	D	AC/DC 22~36V	Y	1 Control	R1	1 Relays	A	4~20mA	Y	Yes	4	4 digits
5	5 Digits	J	-200~760 $^{\circ}\text{C}$					R2	2 Relays	V	0~10V			5	5 digits
O	OPTION	K	-200~1360 $^{\circ}\text{C}$					R3	3 Relays	O	Option			6	6 digits
		R	0~1760 $^{\circ}\text{C}$					O1	1 Open Collect						
		S	0~1750 $^{\circ}\text{C}$					O2	2 Open Collect						
		T	-200~395 $^{\circ}\text{C}$					O3	3 Open Collect						

**3 Relay type only offers A(NormalOpen) output. O.C. (Open Collect) offers NPN of C.E. output.