

- Accuracy: ±0.03% F.S.; Input frequency: 400~10KHz
- Measuring AC Frequency / DC Pulse / Magnetic
- High brightness 10cm LED, display range: 0~99999; decimal point selectable
- Line-Speed / RPM / Frequency selectable; Line unit: M, Ft, Y/min selectable
- Restore factory calibration setting available ; Buzzer function available
- Dual input math function for AB phase Encoder, positive / reverse RPM application
- 1~4 Alarms (Hi or Lo) programmable / Analog output (15 bit resolution) / RS-485 communication optional (The above options can exist together)
- 6M distance remote control available for parameters setting
- Invisible wire connection, easily installation
- High stability, painting steel housing, high safety



**SPECIFICATION**

- |                             |   |                            |   |
|-----------------------------|---|----------------------------|---|
| ◆ Accuracy:                 | ±0.03% F.S.                                     | ◆ Output Response Time:    | <250 msec (0~90%)                             |
| ◆ Display Screen:           | High brightness red LED; 10cm (4")              | ◆ Output Capability:       | Voltage Output: <20mA<br>Current Output: <10V |
| ◆ Sampling Cycle:           | 10 cycles / sec: >10Hz<br>f cycles / sec: <10Hz | ◆ Communication:           | RS-485 Modbus RTU mode                        |
| ◆ Display Range:            | Max to 99999                                    | ◆ Baud Rate:               | 19200 / 9600 / 4800 / 2400 bps                |
| ◆ Display Scale Range:      | Max to 99.999                                   | ◆ Temperature Coefficient: | 100ppm / °C (0~60°C)                          |
| ◆ Over Range Indication:    | do / io   | ◆ Operating Temperature:   | 0~60°C  |
| ◆ Parameters Setting:       | Infrared Remote Control                         | ◆ Operating Humidity:      | 20~90% RH (non-condensing)                    |
| ◆ Back Up Memory:           | EEPROM  | ◆ Storage Temperature:     | -10~70°C                                      |
| ◆ Alarm Action:             | "≥ (Hi) on" or "< (Lo) on"                      | ◆ Storage Humidity:        | 20~90% RH (non-condensing)                    |
| ◆ Alarm Run Delay Time:     | 0~99 sec  | ◆ Power Supply:            | AC/DC 100~240V; DC 12 / 24 / 30~90V           |
| ◆ Relay Contact:            | AC 277V / 7A; DC 30V / 7A                       | ◆ Power Consumption:       | 10VA (all functions output)                   |
| ◆ Analog Output Resolution: | 15 bit  | ◆ Surge Test:              | 1.5KVac / 1min (Input / Power)                |

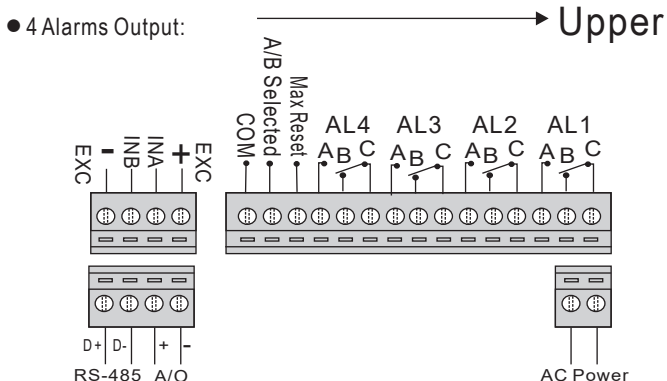
**ORDER INFORMATION**

GBMR - [Code 1] - [Code 2] [Code 3] - [Code 4] - [Code 5] [Code 6] [Code 7] [Code 8]

| Code 1 | Digits   | Code 2 | Input Signal | Code 2 | Input Signal      | Code 3 | Display Unit | Code 4 | Aux. Power     | Code 5 | Alarm Output   | Code 6 | Analog Output | Code 7 | RS-485 | Code 8 | Case size |
|--------|----------|--------|--------------|--------|-------------------|--------|--------------|--------|----------------|--------|----------------|--------|---------------|--------|--------|--------|-----------|
| 3      | 3 Digits | N5     | NPN(5V)      | VA     | AC 2~60V          | H      | Hz           | A      | AC/DC 100~240V | N      | None           | N      | None          | N      | None   | 3      | 3 digits  |
| 4      | 4 Digits | N2     | NPN(12V)     | VB     | AC 60~600V        | R      | RPM          | O      | Option         | R2     | 2 Relays       | A      | 4~20mA        | Y      | Yes    | 4      | 4 digits  |
| 5      | 5 Digits | P5     | PNP(5V)      | VC     | Pick-up 50mV~1.5V | M      | M/min        |        |                | R3     | 3 Relays       | V      | 0~10V         |        |        | 5      | 5 digits  |
|        |          | P2     | PNP(12V)     | VD     | Pick-up 500mV~15V | Y      | Y/min        |        |                | R4     | 4 Relays       | O      | Option        |        |        | 6      | 6 digits  |
|        |          | CT     | Contact      | VE     | DC 24Vp           | F      | F/min        |        |                | O2     | 2 Open Collect |        |               |        |        |        |           |
|        |          |        |              | O      | Option            |        |              |        |                | O3     | 3 Open Collect |        |               |        |        |        |           |
|        |          |        |              |        |                   |        |              |        |                | O4     | 4 Open Collect |        |               |        |        |        |           |

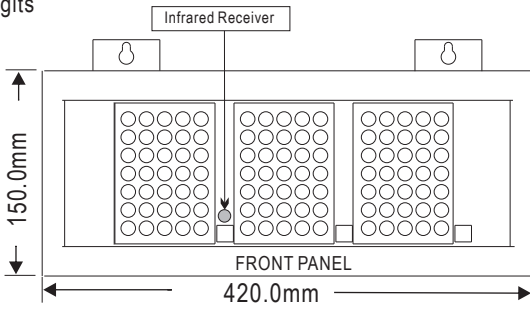
\*1: NPN(5V),PNP(5V) offers excitation power DC5V; NPN(12V),PNP(12V) offers excitation power DC12V for sensors using.  
\*2: Please use PNP/NPN(5V/12V) or DC24Vp for DC pulse input.

**WIRING CONNECTION**

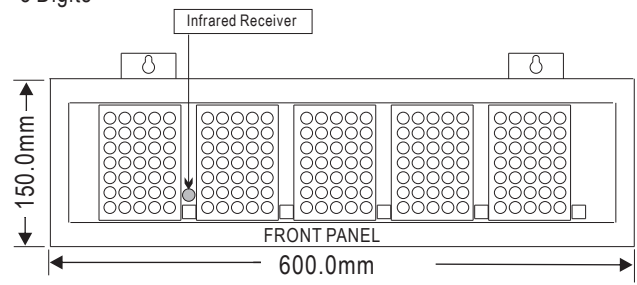


# DIMENSION

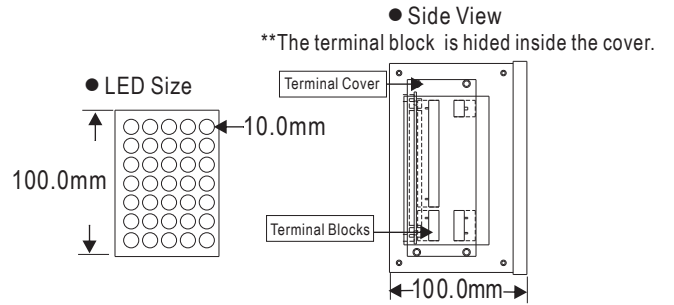
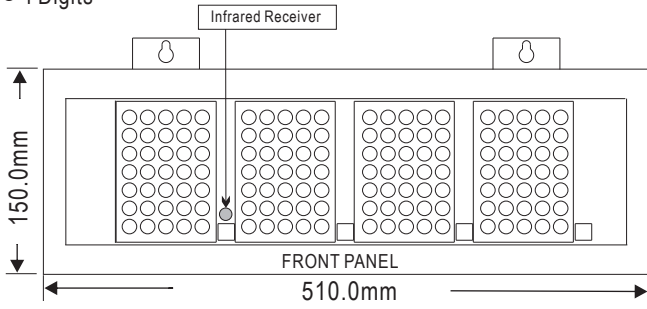
## ● 3 Digits



## ● 5 Digits

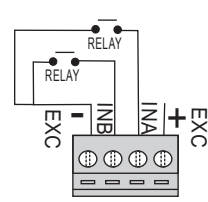
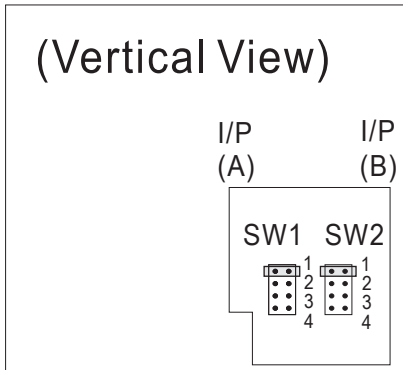


## ● 4 Digits

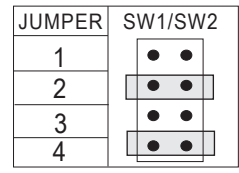


# INPUT SIGNAL MODIFICATION

\*\*To Select the pin to modify the input signal for different sensors.



Relay Contact: NPN 0~400 Hz



\*\*For relay input type, please select NPN 400 Hz.

| SW1 | JUMPER | DEFINITION (ON:close;OFF:open) |
|-----|--------|--------------------------------|
| ● ● | 1      | OFF: 12V; ON: 5V               |
| ● ● | 2      | OFF:10KHz; ON: 400Hz           |
| ● ● | 3      | OFF: NPN; ON: PNP              |
| ● ● | 4      | OFF: PNP; ON: NPN              |

※Connection:

| NPN (5V): 0~400 Hz  | NPN (5V): 0~10 KHz | NPN (12V): 0~400 Hz | NPN (12V): 0~10 KHz |     |   |     |   |     |   |     |   |        |         |   |     |   |     |   |     |   |     |   |        |         |   |     |   |     |   |     |   |     |   |        |         |   |     |   |     |   |     |   |     |
|---|--------------------|---------------------|---------------------|-----|---|-----|---|-----|---|-----|---|--------|---------|---|-----|---|-----|---|-----|---|-----|---|--------|---------|---|-----|---|-----|---|-----|---|-----|---|--------|---------|---|-----|---|-----|---|-----|---|-----|
|   |                    |                     |                     |     |   |     |   |     |   |     |   |        |         |   |     |   |     |   |     |   |     |   |        |         |   |     |   |     |   |     |   |     |   |        |         |   |     |   |     |   |     |   |     |
| <table border="1"> <thead> <tr> <th>JUMPER</th> <th>SW1/SW2</th> </tr> </thead> <tbody> <tr><td>1</td><td>● ●</td></tr> <tr><td>2</td><td>● ●</td></tr> <tr><td>3</td><td>● ●</td></tr> <tr><td>4</td><td>● ●</td></tr> </tbody> </table> | JUMPER             | SW1/SW2             | 1                   | ● ● | 2 | ● ● | 3 | ● ● | 4 | ● ● | <table border="1"> <thead> <tr> <th>JUMPER</th> <th>SW1/SW2</th> </tr> </thead> <tbody> <tr><td>1</td><td>● ●</td></tr> <tr><td>2</td><td>● ●</td></tr> <tr><td>3</td><td>● ●</td></tr> <tr><td>4</td><td>● ●</td></tr> </tbody> </table> | JUMPER | SW1/SW2 | 1 | ● ● | 2 | ● ● | 3 | ● ● | 4 | ● ● | <table border="1"> <thead> <tr> <th>JUMPER</th> <th>SW1/SW2</th> </tr> </thead> <tbody> <tr><td>1</td><td>● ●</td></tr> <tr><td>2</td><td>● ●</td></tr> <tr><td>3</td><td>● ●</td></tr> <tr><td>4</td><td>● ●</td></tr> </tbody> </table> | JUMPER | SW1/SW2 | 1 | ● ● | 2 | ● ● | 3 | ● ● | 4 | ● ● | <table border="1"> <thead> <tr> <th>JUMPER</th> <th>SW1/SW2</th> </tr> </thead> <tbody> <tr><td>1</td><td>● ●</td></tr> <tr><td>2</td><td>● ●</td></tr> <tr><td>3</td><td>● ●</td></tr> <tr><td>4</td><td>● ●</td></tr> </tbody> </table> | JUMPER | SW1/SW2 | 1 | ● ● | 2 | ● ● | 3 | ● ● | 4 | ● ● |
| JUMPER  | SW1/SW2            |                     |                     |     |   |     |   |     |   |     |   |        |         |   |     |   |     |   |     |   |     |   |        |         |   |     |   |     |   |     |   |     |   |        |         |   |     |   |     |   |     |   |     |
| 1   | ● ●                |                     |                     |     |   |     |   |     |   |     |   |        |         |   |     |   |     |   |     |   |     |   |        |         |   |     |   |     |   |     |   |     |   |        |         |   |     |   |     |   |     |   |     |
| 2   | ● ●                |                     |                     |     |   |     |   |     |   |     |   |        |         |   |     |   |     |   |     |   |     |   |        |         |   |     |   |     |   |     |   |     |   |        |         |   |     |   |     |   |     |   |     |
| 3   | ● ●                |                     |                     |     |   |     |   |     |   |     |   |        |         |   |     |   |     |   |     |   |     |   |        |         |   |     |   |     |   |     |   |     |   |        |         |   |     |   |     |   |     |   |     |
| 4   | ● ●                |                     |                     |     |   |     |   |     |   |     |   |        |         |   |     |   |     |   |     |   |     |   |        |         |   |     |   |     |   |     |   |     |   |        |         |   |     |   |     |   |     |   |     |
| JUMPER  | SW1/SW2            |                     |                     |     |   |     |   |     |   |     |   |        |         |   |     |   |     |   |     |   |     |   |        |         |   |     |   |     |   |     |   |     |   |        |         |   |     |   |     |   |     |   |     |
| 1   | ● ●                |                     |                     |     |   |     |   |     |   |     |   |        |         |   |     |   |     |   |     |   |     |   |        |         |   |     |   |     |   |     |   |     |   |        |         |   |     |   |     |   |     |   |     |
| 2   | ● ●                |                     |                     |     |   |     |   |     |   |     |   |        |         |   |     |   |     |   |     |   |     |   |        |         |   |     |   |     |   |     |   |     |   |        |         |   |     |   |     |   |     |   |     |
| 3   | ● ●                |                     |                     |     |   |     |   |     |   |     |   |        |         |   |     |   |     |   |     |   |     |   |        |         |   |     |   |     |   |     |   |     |   |        |         |   |     |   |     |   |     |   |     |
| 4   | ● ●                |                     |                     |     |   |     |   |     |   |     |   |        |         |   |     |   |     |   |     |   |     |   |        |         |   |     |   |     |   |     |   |     |   |        |         |   |     |   |     |   |     |   |     |
| JUMPER  | SW1/SW2            |                     |                     |     |   |     |   |     |   |     |   |        |         |   |     |   |     |   |     |   |     |   |        |         |   |     |   |     |   |     |   |     |   |        |         |   |     |   |     |   |     |   |     |
| 1   | ● ●                |                     |                     |     |   |     |   |     |   |     |   |        |         |   |     |   |     |   |     |   |     |   |        |         |   |     |   |     |   |     |   |     |   |        |         |   |     |   |     |   |     |   |     |
| 2   | ● ●                |                     |                     |     |   |     |   |     |   |     |   |        |         |   |     |   |     |   |     |   |     |   |        |         |   |     |   |     |   |     |   |     |   |        |         |   |     |   |     |   |     |   |     |
| 3   | ● ●                |                     |                     |     |   |     |   |     |   |     |   |        |         |   |     |   |     |   |     |   |     |   |        |         |   |     |   |     |   |     |   |     |   |        |         |   |     |   |     |   |     |   |     |
| 4   | ● ●                |                     |                     |     |   |     |   |     |   |     |   |        |         |   |     |   |     |   |     |   |     |   |        |         |   |     |   |     |   |     |   |     |   |        |         |   |     |   |     |   |     |   |     |
| JUMPER  | SW1/SW2            |                     |                     |     |   |     |   |     |   |     |   |        |         |   |     |   |     |   |     |   |     |   |        |         |   |     |   |     |   |     |   |     |   |        |         |   |     |   |     |   |     |   |     |
| 1   | ● ●                |                     |                     |     |   |     |   |     |   |     |   |        |         |   |     |   |     |   |     |   |     |   |        |         |   |     |   |     |   |     |   |     |   |        |         |   |     |   |     |   |     |   |     |
| 2   | ● ●                |                     |                     |     |   |     |   |     |   |     |   |        |         |   |     |   |     |   |     |   |     |   |        |         |   |     |   |     |   |     |   |     |   |        |         |   |     |   |     |   |     |   |     |
| 3   | ● ●                |                     |                     |     |   |     |   |     |   |     |   |        |         |   |     |   |     |   |     |   |     |   |        |         |   |     |   |     |   |     |   |     |   |        |         |   |     |   |     |   |     |   |     |
| 4   | ● ●                |                     |                     |     |   |     |   |     |   |     |   |        |         |   |     |   |     |   |     |   |     |   |        |         |   |     |   |     |   |     |   |     |   |        |         |   |     |   |     |   |     |   |     |
| <table border="1"> <thead> <tr> <th>JUMPER</th> <th>SW1/SW2</th> </tr> </thead> <tbody> <tr><td>1</td><td>● ●</td></tr> <tr><td>2</td><td>● ●</td></tr> <tr><td>3</td><td>● ●</td></tr> <tr><td>4</td><td>● ●</td></tr> </tbody> </table> | JUMPER             | SW1/SW2             | 1                   | ● ● | 2 | ● ● | 3 | ● ● | 4 | ● ● | <table border="1"> <thead> <tr> <th>JUMPER</th> <th>SW1/SW2</th> </tr> </thead> <tbody> <tr><td>1</td><td>● ●</td></tr> <tr><td>2</td><td>● ●</td></tr> <tr><td>3</td><td>● ●</td></tr> <tr><td>4</td><td>● ●</td></tr> </tbody> </table> | JUMPER | SW1/SW2 | 1 | ● ● | 2 | ● ● | 3 | ● ● | 4 | ● ● | <table border="1"> <thead> <tr> <th>JUMPER</th> <th>SW1/SW2</th> </tr> </thead> <tbody> <tr><td>1</td><td>● ●</td></tr> <tr><td>2</td><td>● ●</td></tr> <tr><td>3</td><td>● ●</td></tr> <tr><td>4</td><td>● ●</td></tr> </tbody> </table> | JUMPER | SW1/SW2 | 1 | ● ● | 2 | ● ● | 3 | ● ● | 4 | ● ● | <table border="1"> <thead> <tr> <th>JUMPER</th> <th>SW1/SW2</th> </tr> </thead> <tbody> <tr><td>1</td><td>● ●</td></tr> <tr><td>2</td><td>● ●</td></tr> <tr><td>3</td><td>● ●</td></tr> <tr><td>4</td><td>● ●</td></tr> </tbody> </table> | JUMPER | SW1/SW2 | 1 | ● ● | 2 | ● ● | 3 | ● ● | 4 | ● ● |
| JUMPER  | SW1/SW2            |                     |                     |     |   |     |   |     |   |     |   |        |         |   |     |   |     |   |     |   |     |   |        |         |   |     |   |     |   |     |   |     |   |        |         |   |     |   |     |   |     |   |     |
| 1   | ● ●                |                     |                     |     |   |     |   |     |   |     |   |        |         |   |     |   |     |   |     |   |     |   |        |         |   |     |   |     |   |     |   |     |   |        |         |   |     |   |     |   |     |   |     |
| 2   | ● ●                |                     |                     |     |   |     |   |     |   |     |   |        |         |   |     |   |     |   |     |   |     |   |        |         |   |     |   |     |   |     |   |     |   |        |         |   |     |   |     |   |     |   |     |
| 3   | ● ●                |                     |                     |     |   |     |   |     |   |     |   |        |         |   |     |   |     |   |     |   |     |   |        |         |   |     |   |     |   |     |   |     |   |        |         |   |     |   |     |   |     |   |     |
| 4   | ● ●                |                     |                     |     |   |     |   |     |   |     |   |        |         |   |     |   |     |   |     |   |     |   |        |         |   |     |   |     |   |     |   |     |   |        |         |   |     |   |     |   |     |   |     |
| JUMPER  | SW1/SW2            |                     |                     |     |   |     |   |     |   |     |   |        |         |   |     |   |     |   |     |   |     |   |        |         |   |     |   |     |   |     |   |     |   |        |         |   |     |   |     |   |     |   |     |
| 1   | ● ●                |                     |                     |     |   |     |   |     |   |     |   |        |         |   |     |   |     |   |     |   |     |   |        |         |   |     |   |     |   |     |   |     |   |        |         |   |     |   |     |   |     |   |     |
| 2   | ● ●                |                     |                     |     |   |     |   |     |   |     |   |        |         |   |     |   |     |   |     |   |     |   |        |         |   |     |   |     |   |     |   |     |   |        |         |   |     |   |     |   |     |   |     |
| 3   | ● ●                |                     |                     |     |   |     |   |     |   |     |   |        |         |   |     |   |     |   |     |   |     |   |        |         |   |     |   |     |   |     |   |     |   |        |         |   |     |   |     |   |     |   |     |
| 4   | ● ●                |                     |                     |     |   |     |   |     |   |     |   |        |         |   |     |   |     |   |     |   |     |   |        |         |   |     |   |     |   |     |   |     |   |        |         |   |     |   |     |   |     |   |     |
| JUMPER  | SW1/SW2            |                     |                     |     |   |     |   |     |   |     |   |        |         |   |     |   |     |   |     |   |     |   |        |         |   |     |   |     |   |     |   |     |   |        |         |   |     |   |     |   |     |   |     |
| 1   | ● ●                |                     |                     |     |   |     |   |     |   |     |   |        |         |   |     |   |     |   |     |   |     |   |        |         |   |     |   |     |   |     |   |     |   |        |         |   |     |   |     |   |     |   |     |
| 2   | ● ●                |                     |                     |     |   |     |   |     |   |     |   |        |         |   |     |   |     |   |     |   |     |   |        |         |   |     |   |     |   |     |   |     |   |        |         |   |     |   |     |   |     |   |     |
| 3   | ● ●                |                     |                     |     |   |     |   |     |   |     |   |        |         |   |     |   |     |   |     |   |     |   |        |         |   |     |   |     |   |     |   |     |   |        |         |   |     |   |     |   |     |   |     |
| 4   | ● ●                |                     |                     |     |   |     |   |     |   |     |   |        |         |   |     |   |     |   |     |   |     |   |        |         |   |     |   |     |   |     |   |     |   |        |         |   |     |   |     |   |     |   |     |
| JUMPER  | SW1/SW2            |                     |                     |     |   |     |   |     |   |     |   |        |         |   |     |   |     |   |     |   |     |   |        |         |   |     |   |     |   |     |   |     |   |        |         |   |     |   |     |   |     |   |     |
| 1   | ● ●                |                     |                     |     |   |     |   |     |   |     |   |        |         |   |     |   |     |   |     |   |     |   |        |         |   |     |   |     |   |     |   |     |   |        |         |   |     |   |     |   |     |   |     |
| 2   | ● ●                |                     |                     |     |   |     |   |     |   |     |   |        |         |   |     |   |     |   |     |   |     |   |        |         |   |     |   |     |   |     |   |     |   |        |         |   |     |   |     |   |     |   |     |
| 3   | ● ●                |                     |                     |     |   |     |   |     |   |     |   |        |         |   |     |   |     |   |     |   |     |   |        |         |   |     |   |     |   |     |   |     |   |        |         |   |     |   |     |   |     |   |     |
| 4   | ● ●                |                     |                     |     |   |     |   |     |   |     |   |        |         |   |     |   |     |   |     |   |     |   |        |         |   |     |   |     |   |     |   |     |   |        |         |   |     |   |     |   |     |   |     |
| <table border="1"> <thead> <tr> <th>JUMPER</th> <th>SW1/SW2</th> </tr> </thead> <tbody> <tr><td>1</td><td>● ●</td></tr> <tr><td>2</td><td>● ●</td></tr> <tr><td>3</td><td>● ●</td></tr> <tr><td>4</td><td>● ●</td></tr> </tbody> </table> | JUMPER             | SW1/SW2             | 1                   | ● ● | 2 | ● ● | 3 | ● ● | 4 | ● ● | <table border="1"> <thead> <tr> <th>JUMPER</th> <th>SW1/SW2</th> </tr> </thead> <tbody> <tr><td>1</td><td>● ●</td></tr> <tr><td>2</td><td>● ●</td></tr> <tr><td>3</td><td>● ●</td></tr> <tr><td>4</td><td>● ●</td></tr> </tbody> </table> | JUMPER | SW1/SW2 | 1 | ● ● | 2 | ● ● | 3 | ● ● | 4 | ● ● | <table border="1"> <thead> <tr> <th>JUMPER</th> <th>SW1/SW2</th> </tr> </thead> <tbody> <tr><td>1</td><td>● ●</td></tr> <tr><td>2</td><td>● ●</td></tr> <tr><td>3</td><td>● ●</td></tr> <tr><td>4</td><td>● ●</td></tr> </tbody> </table> | JUMPER | SW1/SW2 | 1 | ● ● | 2 | ● ● | 3 | ● ● | 4 | ● ● | <table border="1"> <thead> <tr> <th>JUMPER</th> <th>SW1/SW2</th> </tr> </thead> <tbody> <tr><td>1</td><td>● ●</td></tr> <tr><td>2</td><td>● ●</td></tr> <tr><td>3</td><td>● ●</td></tr> <tr><td>4</td><td>● ●</td></tr> </tbody> </table> | JUMPER | SW1/SW2 | 1 | ● ● | 2 | ● ● | 3 | ● ● | 4 | ● ● |
| JUMPER  | SW1/SW2            |                     |                     |     |   |     |   |     |   |     |   |        |         |   |     |   |     |   |     |   |     |   |        |         |   |     |   |     |   |     |   |     |   |        |         |   |     |   |     |   |     |   |     |
| 1   | ● ●                |                     |                     |     |   |     |   |     |   |     |   |        |         |   |     |   |     |   |     |   |     |   |        |         |   |     |   |     |   |     |   |     |   |        |         |   |     |   |     |   |     |   |     |
| 2   | ● ●                |                     |                     |     |   |     |   |     |   |     |   |        |         |   |     |   |     |   |     |   |     |   |        |         |   |     |   |     |   |     |   |     |   |        |         |   |     |   |     |   |     |   |     |
| 3   | ● ●                |                     |                     |     |   |     |   |     |   |     |   |        |         |   |     |   |     |   |     |   |     |   |        |         |   |     |   |     |   |     |   |     |   |        |         |   |     |   |     |   |     |   |     |
| 4   | ● ●                |                     |                     |     |   |     |   |     |   |     |   |        |         |   |     |   |     |   |     |   |     |   |        |         |   |     |   |     |   |     |   |     |   |        |         |   |     |   |     |   |     |   |     |
| JUMPER  | SW1/SW2            |                     |                     |     |   |     |   |     |   |     |   |        |         |   |     |   |     |   |     |   |     |   |        |         |   |     |   |     |   |     |   |     |   |        |         |   |     |   |     |   |     |   |     |
| 1   | ● ●                |                     |                     |     |   |     |   |     |   |     |   |        |         |   |     |   |     |   |     |   |     |   |        |         |   |     |   |     |   |     |   |     |   |        |         |   |     |   |     |   |     |   |     |
| 2   | ● ●                |                     |                     |     |   |     |   |     |   |     |   |        |         |   |     |   |     |   |     |   |     |   |        |         |   |     |   |     |   |     |   |     |   |        |         |   |     |   |     |   |     |   |     |
| 3   | ● ●                |                     |                     |     |   |     |   |     |   |     |   |        |         |   |     |   |     |   |     |   |     |   |        |         |   |     |   |     |   |     |   |     |   |        |         |   |     |   |     |   |     |   |     |
| 4   | ● ●                |                     |                     |     |   |     |   |     |   |     |   |        |         |   |     |   |     |   |     |   |     |   |        |         |   |     |   |     |   |     |   |     |   |        |         |   |     |   |     |   |     |   |     |
| JUMPER  | SW1/SW2            |                     |                     |     |   |     |   |     |   |     |   |        |         |   |     |   |     |   |     |   |     |   |        |         |   |     |   |     |   |     |   |     |   |        |         |   |     |   |     |   |     |   |     |
| 1   | ● ●                |                     |                     |     |   |     |   |     |   |     |   |        |         |   |     |   |     |   |     |   |     |   |        |         |   |     |   |     |   |     |   |     |   |        |         |   |     |   |     |   |     |   |     |
| 2   | ● ●                |                     |                     |     |   |     |   |     |   |     |   |        |         |   |     |   |     |   |     |   |     |   |        |         |   |     |   |     |   |     |   |     |   |        |         |   |     |   |     |   |     |   |     |
| 3   | ● ●                |                     |                     |     |   |     |   |     |   |     |   |        |         |   |     |   |     |   |     |   |     |   |        |         |   |     |   |     |   |     |   |     |   |        |         |   |     |   |     |   |     |   |     |
| 4   | ● ●                |                     |                     |     |   |     |   |     |   |     |   |        |         |   |     |   |     |   |     |   |     |   |        |         |   |     |   |     |   |     |   |     |   |        |         |   |     |   |     |   |     |   |     |
| JUMPER  | SW1/SW2            |                     |                     |     |   |     |   |     |   |     |   |        |         |   |     |   |     |   |     |   |     |   |        |         |   |     |   |     |   |     |   |     |   |        |         |   |     |   |     |   |     |   |     |
| 1   | ● ●                |                     |                     |     |   |     |   |     |   |     |   |        |         |   |     |   |     |   |     |   |     |   |        |         |   |     |   |     |   |     |   |     |   |        |         |   |     |   |     |   |     |   |     |
| 2   | ● ●                |                     |                     |     |   |     |   |     |   |     |   |        |         |   |     |   |     |   |     |   |     |   |        |         |   |     |   |     |   |     |   |     |   |        |         |   |     |   |     |   |     |   |     |
| 3   | ● ●                |                     |                     |     |   |     |   |     |   |     |   |        |         |   |     |   |     |   |     |   |     |   |        |         |   |     |   |     |   |     |   |     |   |        |         |   |     |   |     |   |     |   |     |
| 4   | ● ●                |                     |                     |     |   |     |   |     |   |     |   |        |         |   |     |   |     |   |     |   |     |   |        |         |   |     |   |     |   |     |   |     |   |        |         |   |     |   |     |   |     |   |     |
| <table border="1"> <thead> <tr> <th>JUMPER</th> <th>SW1/SW2</th> </tr> </thead> <tbody> <tr><td>1</td><td>● ●</td></tr> <tr><td>2</td><td>● ●</td></tr> <tr><td>3</td><td>● ●</td></tr> <tr><td>4</td><td>● ●</td></tr> </tbody> </table> | JUMPER             | SW1/SW2             | 1                   | ● ● | 2 | ● ● | 3 | ● ● | 4 | ● ● | <table border="1"> <thead> <tr> <th>JUMPER</th> <th>SW1/SW2</th> </tr> </thead> <tbody> <tr><td>1</td><td>● ●</td></tr> <tr><td>2</td><td>● ●</td></tr> <tr><td>3</td><td>● ●</td></tr> <tr><td>4</td><td>● ●</td></tr> </tbody> </table> | JUMPER | SW1/SW2 | 1 | ● ● | 2 | ● ● | 3 | ● ● | 4 | ● ● | <table border="1"> <thead> <tr> <th>JUMPER</th> <th>SW1/SW2</th> </tr> </thead> <tbody> <tr><td>1</td><td>● ●</td></tr> <tr><td>2</td><td>● ●</td></tr> <tr><td>3</td><td>● ●</td></tr> <tr><td>4</td><td>● ●</td></tr> </tbody> </table> | JUMPER | SW1/SW2 | 1 | ● ● | 2 | ● ● | 3 | ● ● | 4 | ● ● | <table border="1"> <thead> <tr> <th>JUMPER</th> <th>SW1/SW2</th> </tr> </thead> <tbody> <tr><td>1</td><td>● ●</td></tr> <tr><td>2</td><td>● ●</td></tr> <tr><td>3</td><td>● ●</td></tr> <tr><td>4</td><td>● ●</td></tr> </tbody> </table> | JUMPER | SW1/SW2 | 1 | ● ● | 2 | ● ● | 3 | ● ● | 4 | ● ● |
| JUMPER  | SW1/SW2            |                     |                     |     |   |     |   |     |   |     |   |        |         |   |     |   |     |   |     |   |     |   |        |         |   |     |   |     |   |     |   |     |   |        |         |   |     |   |     |   |     |   |     |
| 1   | ● ●                |                     |                     |     |   |     |   |     |   |     |   |        |         |   |     |   |     |   |     |   |     |   |        |         |   |     |   |     |   |     |   |     |   |        |         |   |     |   |     |   |     |   |     |
| 2   | ● ●                |                     |                     |     |   |     |   |     |   |     |   |        |         |   |     |   |     |   |     |   |     |   |        |         |   |     |   |     |   |     |   |     |   |        |         |   |     |   |     |   |     |   |     |
| 3   | ● ●                |                     |                     |     |   |     |   |     |   |     |   |        |         |   |     |   |     |   |     |   |     |   |        |         |   |     |   |     |   |     |   |     |   |        |         |   |     |   |     |   |     |   |     |
| 4   | ● ●                |                     |                     |     |   |     |   |     |   |     |   |        |         |   |     |   |     |   |     |   |     |   |        |         |   |     |   |     |   |     |   |     |   |        |         |   |     |   |     |   |     |   |     |
| JUMPER  | SW1/SW2            |                     |                     |     |   |     |   |     |   |     |   |        |         |   |     |   |     |   |     |   |     |   |        |         |   |     |   |     |   |     |   |     |   |        |         |   |     |   |     |   |     |   |     |
| 1   | ● ●                |                     |                     |     |   |     |   |     |   |     |   |        |         |   |     |   |     |   |     |   |     |   |        |         |   |     |   |     |   |     |   |     |   |        |         |   |     |   |     |   |     |   |     |
| 2   | ● ●                |                     |                     |     |   |     |   |     |   |     |   |        |         |   |     |   |     |   |     |   |     |   |        |         |   |     |   |     |   |     |   |     |   |        |         |   |     |   |     |   |     |   |     |
| 3   | ● ●                |                     |                     |     |   |     |   |     |   |     |   |        |         |   |     |   |     |   |     |   |     |   |        |         |   |     |   |     |   |     |   |     |   |        |         |   |     |   |     |   |     |   |     |
| 4   | ● ●                |                     |                     |     |   |     |   |     |   |     |   |        |         |   |     |   |     |   |     |   |     |   |        |         |   |     |   |     |   |     |   |     |   |        |         |   |     |   |     |   |     |   |     |
| JUMPER  | SW1/SW2            |                     |                     |     |   |     |   |     |   |     |   |        |         |   |     |   |     |   |     |   |     |   |        |         |   |     |   |     |   |     |   |     |   |        |         |   |     |   |     |   |     |   |     |
| 1   | ● ●                |                     |                     |     |   |     |   |     |   |     |   |        |         |   |     |   |     |   |     |   |     |   |        |         |   |     |   |     |   |     |   |     |   |        |         |   |     |   |     |   |     |   |     |
| 2   | ● ●                |                     |                     |     |   |     |   |     |   |     |   |        |         |   |     |   |     |   |     |   |     |   |        |         |   |     |   |     |   |     |   |     |   |        |         |   |     |   |     |   |     |   |     |
| 3   | ● ●                |                     |                     |     |   |     |   |     |   |     |   |        |         |   |     |   |     |   |     |   |     |   |        |         |   |     |   |     |   |     |   |     |   |        |         |   |     |   |     |   |     |   |     |
| 4   | ● ●                |                     |                     |     |   |     |   |     |   |     |   |        |         |   |     |   |     |   |     |   |     |   |        |         |   |     |   |     |   |     |   |     |   |        |         |   |     |   |     |   |     |   |     |
| JUMPER  | SW1/SW2            |                     |                     |     |   |     |   |     |   |     |   |        |         |   |     |   |     |   |     |   |     |   |        |         |   |     |   |     |   |     |   |     |   |        |         |   |     |   |     |   |     |   |     |
| 1   | ● ●                |                     |                     |     |   |     |   |     |   |     |   |        |         |   |     |   |     |   |     |   |     |   |        |         |   |     |   |     |   |     |   |     |   |        |         |   |     |   |     |   |     |   |     |
| 2   | ● ●                |                     |                     |     |   |     |   |     |   |     |   |        |         |   |     |   |     |   |     |   |     |   |        |         |   |     |   |     |   |     |   |     |   |        |         |   |     |   |     |   |     |   |     |
| 3   | ● ●                |                     |                     |     |   |     |   |     |   |     |   |        |         |   |     |   |     |   |     |   |     |   |        |         |   |     |   |     |   |     |   |     |   |        |         |   |     |   |     |   |     |   |     |
| 4   | ● ●                |                     |                     |     |   |     |   |     |   |     |   |        |         |   |     |   |     |   |     |   |     |   |        |         |   |     |   |     |   |     |   |     |   |        |         |   |     |   |     |   |     |   |     |