

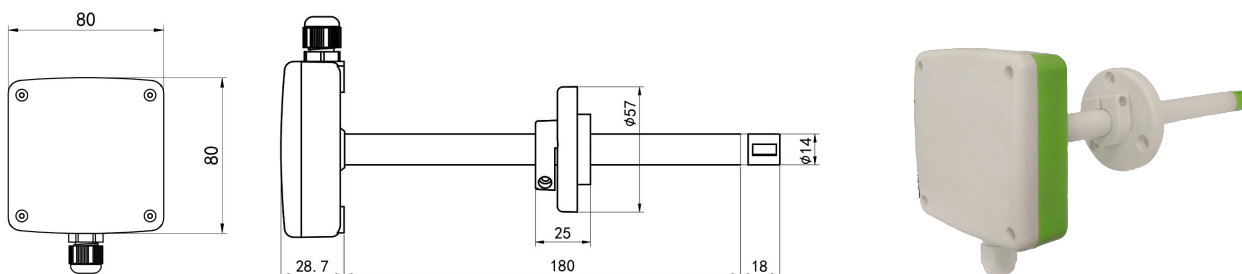
- Integrated shutter cover, wind proof, rain proof, sun proof and anti-aging
- 12-storey design structure, IP54, temperature resistance -40~+75 °C, suitable for extreme weather conditions
- Anti-interference circuit design can withstand various strong electromagnetic interference such as on-site frequency converter.
- The equipment adopts waterproof shell design.
- Probe filter screen adopts 25 μ M high-strength stainless steel material, which can not only ensure gas molecules. Prevent dust particles and water droplets from entering.
- Temperature accuracy ± 0.5 °C, humidity accuracy ± 3% RH, high accuracy, low drift.
- Louver cover has small volume (Φ: 14cm, L: 15cm), light weight, convenient installation and other advantages.



SPECIFICATION

- | | | | |
|---|----------------------------|------------------------------------|-------------------------|
| ◆ DC power supply: | 10~30Vdc | ◆ Measuring humidity: | 0%RH~100%RH |
| ◆ Maximum power consumption current output: | 1.3W | ◆ Long-term stability humidity: | ≤1%RH/y |
| ◆ Precision humidity: | ±3%RH(60%RH,25°C) | ◆ Long-term stability temperature: | ≤0.1°C/y |
| ◆ Precision temperature: | ±0.5°C(25°C) | ◆ Response time humidity: | ≤ 8s (1m/s wind speed) |
| ◆ Operating temperature and humidity: | -40°C~+60°C , | ◆ Response time temperature: | ≤ 25s (1m/s wind speed) |
| ◆ Measuring temperature: | 0%RH~95%RH(Non-condensing) | ◆ Output signal: | Current output 4~20mA |
| | -40°C~+80°C | ◆ Load capacity: | Current output ≤ 600 Ω |

DIMENSION

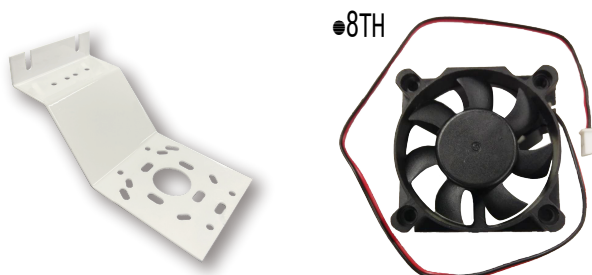


ORDER INFORMATION

SDC Code1 - Code2 - Code3

Code1	Detection items	Code2	Output Signal	Code3	Type
WS	Temp.+Humi.	2A6	4~20mA Current	8TH	Forced air inlet of fan
W	Temp.	Y	RS-485	9TH	No display tube type
S	Humi.				

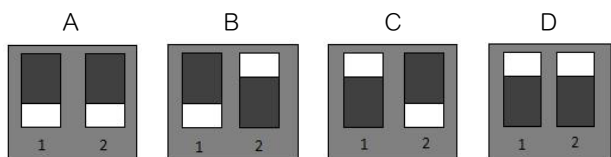
INSTALLATION ACCESSORIES



MODIFY TEMPERATURE RANGE

Remove the 4 screws on the air duct housing to see the dial switch.

The temperature range of the transmitter can be set through the dial switch as follows:



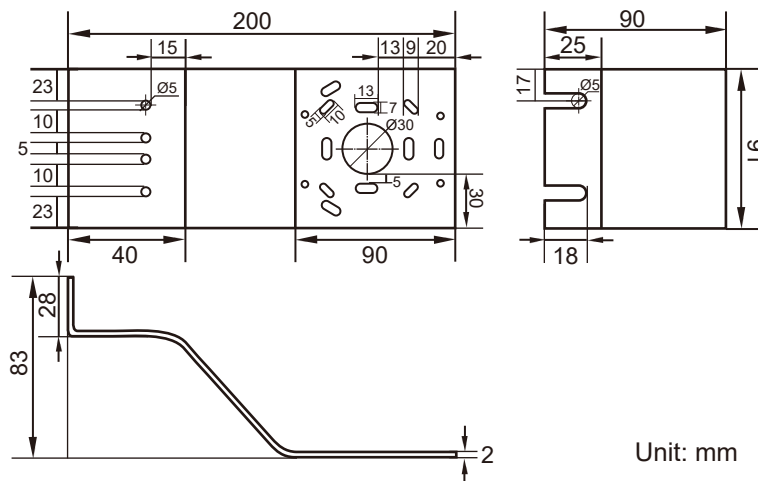
A: The temperature measurement range corresponding to the dial switch is -40~80 °C

B: The temperature measurement range corresponding to the dial switch is -35~50 °C

C: The temperature measurement range corresponding to the dial switch is -35~35 °C

D: The temperature measurement range corresponding to the dial switch is 0~50 °C

If the temperature range is not within the above range, please contact us to order.



Unit: mm