

- Accuracy: 0.1% F.S. (PT-100), 0.2% F.S.  $\pm 0.5^{\circ}\text{C}$  , cold junction compensation
- Measuring sensor type: PT-100/J/K/T/E/R/S/B
- Temperature units ( $^{\circ}\text{C}$ ,  $^{\circ}\text{F}$ ) programmable
- Field range power supply: 10~30Vdc
- Low cost and high stability



## SPECIFICATION

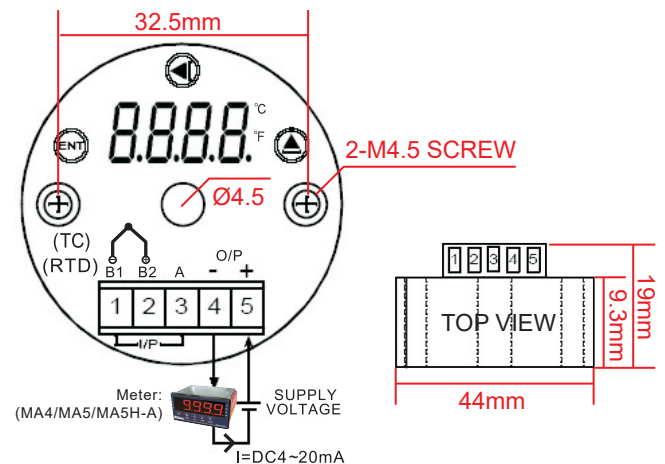
- ◆ Accuracy: 0.1% F.S.(Pt-100)  
0.2% F.S.  $\pm 0.5^{\circ}\text{C}$  (CJC)(Thermocouple)
- ◆ CJ Compensation:  $< \pm 0.5^{\circ}\text{C}$  (0~70 $^{\circ}\text{C}$ )
- ◆ Power Supply: DC4~20mA[DC10~30V(<21mA)]
- ◆ Sensor Exciting Current: <1mA(RTD)
- ◆ Zero Range: -1999~9999
- ◆ Span Range: -1999~9999
- ◆ O/P Response Time: <250ms(0~90%)
- ◆ Output Capability: RL(max.)=(V supply-9V)/20mA  
(up to 750 ohms at 24VDC  
<0.1% F.S.)
- ◆ Output Ripple:
- ◆ Zero Adjustment: 0~ $\pm 99$
- ◆ Span Adjustment: 0~ $\pm 99$
- ◆ Temperature Coefficient: 50ppm/ $^{\circ}\text{C}$  (0~50 $^{\circ}\text{C}$ )
- ◆ Burnout Protection: Upscale the output current limit of approximately 21mA
- ◆ Reverse Volt Protection: Included as standard
- ◆ Display Screen: 7-segment LCD charactor high 5.5mm
- ◆ Parameters Setting: Touch switches
- ◆ Back Up Memory: Non-volatile EEPROM memory
- ◆ Surge Test: 2KVac/1min. (input/case)
- ◆ RFI Protection: 2W-150MHz at 2 meter causes less than 0.5% change in output.
- ◆ Operating Temperature: -5~60 $^{\circ}\text{C}$  (20 to 90% RH non-condensed)
- ◆ Storage Temperature: -10~70 $^{\circ}\text{C}$  (20 to 90% RH non-condensed)
- ◆ Housing Material: PBT (UL94-VO)
- ◆ Installation: Head-mounting(DIN type B head)

## ORDER INFORMATION

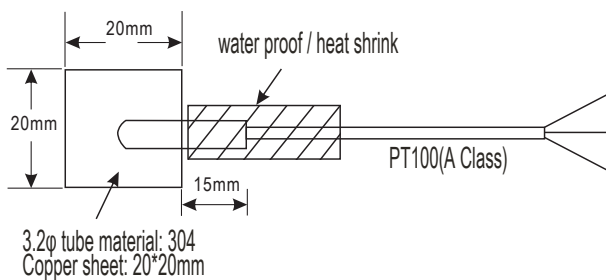
BGW - Code1 - Code2

Code1	Input Type	Code2	Waterproof case
P	Pt-100(-200~850 $^{\circ}\text{C}$ )	Y	Yes
B	B(200~1800 $^{\circ}\text{C}$ )	N	No
E	E(-185~990 $^{\circ}\text{C}$ )		
J	J(-200~760 $^{\circ}\text{C}$ )		
K	K(-200~1360 $^{\circ}\text{C}$ )		
R	R(0~1760 $^{\circ}\text{C}$ )		
S	S(0~1760 $^{\circ}\text{C}$ )		
T	T(-200~395 $^{\circ}\text{C}$ )		

## WIRING CONNECTION



## DIMENSION



Wire type temperature sensor for solar power

## WATERPROOF CASE (IP68)

