

- Accuracy: 0.1% F.S.
- Measuring range: 100Ω~50KΩ
- Display range: -1999~9999
- Field range power supply: 10~30Vdc
- Low cost and high stability



**SPECIFICATION**

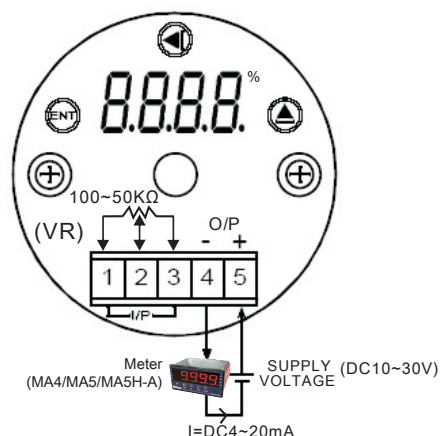
- ◆ Accuracy: 0.1% F.S.(23±5°C)
- ◆ Power Supply: DC4~20mA[DC10~30V(<21mA)]  
100ohm~50Kohm(3Wire)
- ◆ Sensor Exciting Voltage: DC 120mV(<1.2mA)
- ◆ Span Range: -1999~9999
- ◆ Zero Range: -1999~9999
- ◆ O/P Response Time: <250ms(0~90%)
- ◆ Output Capability: RL(max.)=(V supply-9V)/20mA  
(up to 750 ohms at 24VDC)
- ◆ Output Ripple: <0.05% F.S.
- ◆ Zero Adjustment: 0~±99
- ◆ Span Adjustment: 0~±99
- ◆ Temperature Coefficient: 50ppm/°C (0~50°C)
- ◆ Burnout Protection: Upscale the output current limit  
of approximately 21mA
- ◆ Reverse Volt Protection: Included as standard
- ◆ Display Screen: 7-segment LCD characters high 5.5mm
- ◆ Parameters Setting: Touch switches
- ◆ Back Up Memory: Non-volatile EEPROM memory
- ◆ Surge Test: 2KVac/1min. (input/case)
- ◆ RFI Protection: 2W-150MHz at 2 meter causes less  
than 0.5% change in output.
- ◆ Operating Temperature: -5~60°C (20 to 90% RH non-condensed)
- ◆ Storage Temperature: -10~70°C (20 to 90% RH non-condensed)
- ◆ Housing Material: PBT (UL94-VO)
- ◆ Installation: Head-mounting(DIN type B head)

**ORDER INFORMATION**

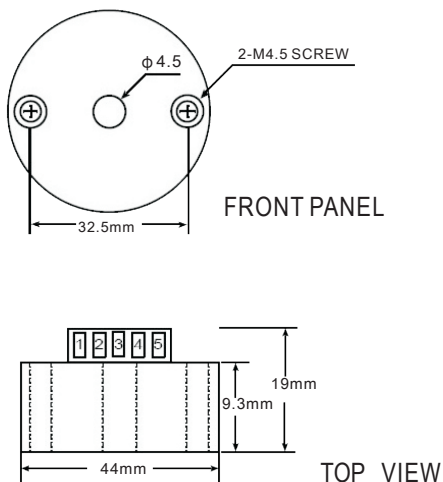
GWP - Code1

Code1 Waterproof Case	
Y	YES
N	NO

**WIRING CONNECTION**



**DIMENSION**



**WATERPROOF CASE (IP68)**

