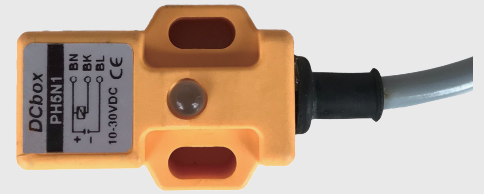


- PBT plastic housing
- Plug socket optional, easily installation
- Detecting distance: 4~7 mm



**SPECIFICATION**

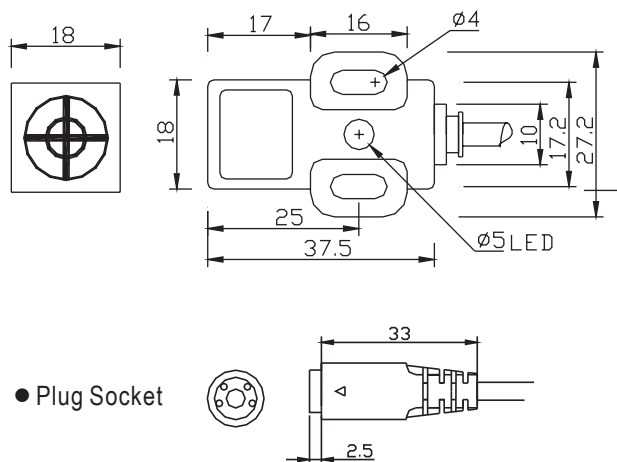
- ◆ Max. Detecting Distance: 5 mm ± 10%
- ◆ Stable Detecting Distance: 0~4 mm
- ◆ Standard Detecting Object: Iron 18 x 18 x 1t
- ◆ Hysteresis: 15% of operating distance
- ◆ Repetitive Accuracy: ± 10%
- ◆ Circuit Protection: Polarity circuit protection
- ◆ Power Supply: DC 10~30V; DC 5V
- ◆ Load Current: 150 mA max.
- ◆ Response Frequency: 600 Hz
- ◆ Operating Indicator: Red LED
- ◆ IP Protection: IP67
- ◆ Vibration Resistance: 10~55Hz, 1.5mm X,Y,Z for 2 hours
- ◆ Shock Resistance: 500m/s (50g), X,Y,Z for 3 times
- ◆ Operating Temperature: -25~70°C
- ◆ Operating Humidity: 35~80% RH (non-condensing)
- ◆ Storage Temperature: -30~80°C
- ◆ Storage Humidity: 35~95% RH (non-condensing)
- ◆ Housing Material: PBT resin
- ◆ Wire Material: PVC cable, 2 M wire length
- ◆ Weight: About 70g

**ORDER INFORMATION**

DE-1805 [Code 1] [Code 2] - [Code 3]

Code 1	Output Type	Code 2	Aux. Power	Code 3	Wire Type
NO	NPN Normal Open	Empty	DC 10~30V	Empty	2 M Wire
NC	NPN Normal Close	5V	DC 5V	P	Plug Socket
PO	PNP Normal Open			O	Option
PC	PNP Normal Close				

**DIMENSION**



**WIRING CONNECTION**

