

- Material: Aluminum alloy steel
- Measuring range: 2T / 3T / 5T / 10T / 20T / 30T
- Easily installation



**SPECIFICATION**

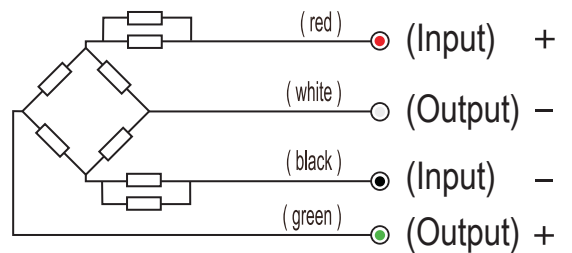
- ◆ Output Signal: 2.0mV/V ±0.25%
- ◆ Zero Load of Balance: ±3%
- ◆ Non-Linear: ±0.03%
- ◆ Hysteresis: ±0.03%
- ◆ Repeatability: ±0.03%
- ◆ Thermal of Sensitivity: ±0.002%
- ◆ Thermal of Zero: ±0.002%
- ◆ Operating Temperature: -10°C ~70°C
- ◆ Temp. Compensation: -10°C ~50°C
- ◆ Applicable Load: 150%
- ◆ Input Resistance: 387 ohm ± 5 ohm
- ◆ Output Resistance: 350 ohm ± 3 ohm
- ◆ Surge Test: ≧5000M ohm (50V DC)
- ◆ Power Supply: 10V DC/AC

**ORDER INFORMATION**

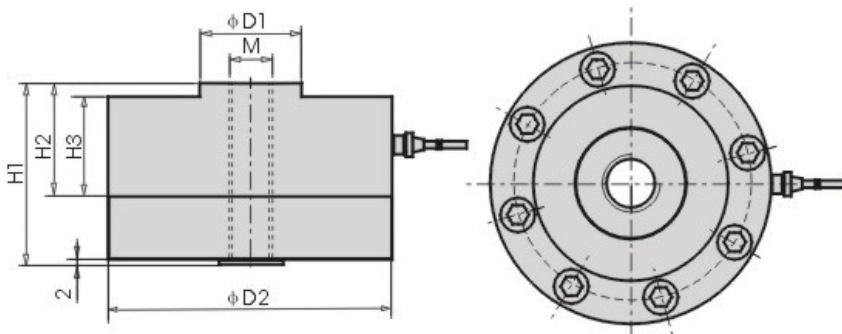
LRL- **Code 1**

| Code 1 | Load (t) |
|--------|----------|
| 02     | 2 Tonne  |
| 03     | 3 Tonne  |
| 05     | 5 Tonne  |
| 10     | 10 Tonne |
| 30     | 30 Tonne |

**WIRING CONNECTION**



**DIMENSION**



| Measuring(T) | 1~5     | 10      | 20~30   |
|--------------|---------|---------|---------|
| H1           | 67      | 80      | 85      |
| H2           | 46      | 53.8    | 53.8    |
| H3           | 34      | 41      | 47      |
| M            | M16*1.5 | M32*1.5 | M32*1.5 |
| D1           | 32      | 41      | 41      |
| D2           | 105     | 121     | 121     |