

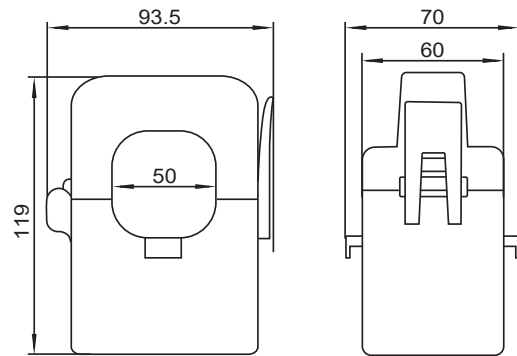
- T-series.(Wire length 1M)
- Split core, easy installation(50mm).
- Primary input 800A~1200A.
- Secondary output 5Aac.
- Safe operation.
- Please do not use while the circuit is open.
Be sure to connect the load device at first.



SPECIFICATION

- ◆ Frequency: 50~60 Hz
- ◆ Rated Current: 800A to 1200A loads
- ◆ Rated Output: 5A (AC)
- ◆ Accuracy: Class 0.5 or 1 from 20% to 120% of rated current
- ◆ Phase angle: Less than 2 degrees at 50% of rated current
- ◆ Insulation Voltage: 600 Vac
- ◆ Maximum Primary Voltage: 5000 Vac (Insulated Conductor)
- ◆ Dielectric Strength: 2.0KV/ 1mA/ 1min
- ◆ Operating Temperature: -40°C to 85°C
- ◆ Operating Humidity: <85%
- ◆ Case Material: PC/UL94~V0
- ◆ Bobbin: PBT
- ◆ Core: Permalloy
- ◆ Internal Structure: Epoxy
- ◆ Burden: 800/ 5A Ø50mm
1000/ 5A Ø50mm
1200/ 5A Ø50mm

DIMENSION



ORDER INFORMATION

DCSCT-50T - Code1 - Code2 - Code3

Code1	Input Signal	Code2	Output	Code3	Wire Length
800	800 Aac	5	5 Aac	N	1 M
1000	1000 Aac			O	Option
1200	1200 Aac				