

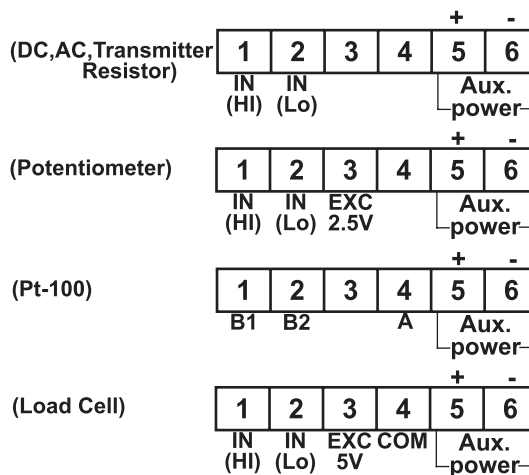
- Accuracy 0.1% F.S. ±1digit.
- Measuring DCA/ DCV/ ACA/ ACV/ Potentiometer/ Pt-100/ Load Cell/ Resistor/ etc...
- Decimal point can be modified.
- Dimension small (24x48x48.5mm) and High stability.
- Discrete terminal, connector easy.



SPECIFICATION

- ◆ Measuring accuracy : 0.1% F.S.±1 digit
0.2% F.S.±1 digit(AC)
- ◆ Sampling time : 2.5 cycles/sec.
- ◆ Readout range : 0~±150 digit adjustable
- ◆ Zero (offset) range : 0~±100 digit adjustable
- ◆ Over input indication : " 1 " or "-1 "
- ◆ Display : Red high efficiency LEDs high 10.16mm(0.4")
- ◆ Polarity display : When input is negative "-" display
- ◆ Temp. coefficient : 50ppm/°C (0~50°C)
- ◆ Dielectric strength : 1KVac/1 min. (input/power)
- ◆ Operating condition : 0~50°C (20 to 90% RH non-condensed)
- ◆ Storage condition : 0~70°C (20 to 90% RH non-condensed)
- ◆ Outside dimension : 24x48x48.5mm

WIRING CONNECTION



ORDER INFORMATION

DCBS-AS - **Code1** - **Code2** - **Code3**

Code1	Input Type	Code2	DCV(ACV)	Code2	DCA(ACA)	Code2	Potentiometer	Code2	Pt-100(RTD)	Code2	Load Cell	Code3	Aux.Power
A	DC	11	0~50mV	21	0~19.99uA	31	0~10%	51	-50.0~+50.0°C	61	2mV/V	A	DC5V(Non-isolating)
B	AC(RMS)	12	0~5V	22	0~199.9uA	32	0~50%	52	-100.0~+100.0°C	62	3mV/V	B	DC5V(Isolating)
D	Potentiometer	13	0~10V	23	0~1.999mA	33	0~100%	53	-199.9~+199.9°C	69	SPECIFIED	C	DC10~30V(Non-isolating)
F	Pt-100(RTD)	14	0~36V	24	0~19.99mA	34	5~95%	59	SPECIFIED		•Exciting DC5V(<25mA)	D	DC10~30V(Isolating)
H	Load Cell	15	0~54V	25	0~199.9mA	39	SPECIFIED		•Three wire connection •non-programmable				•Less±10% for input •Less 1VA for input
R	Resistor	16	0~110V	26	0~1.999A								
O	SPECIFIED	17	0~600V	27	0~5.00A								
		19	SPECIFIED	29	SPECIFIED								

DIMENSION

