

5 DIGITAL MICRO-PROCESS TEMPERATURE (TC) METER with ALARMS / ANALOG OUTPUT / RS-485

DC5M-T



FEATURES

- Accuracy: $\pm 0.2\%$ F.S. $\pm 0.5^\circ\text{C}$ (Cold junction compensation)
- Measuring Temperature (TC) sensors for K, J, E, R, S, B, T
- High brightness 0.56" LED display range: -19999~99999; 1 decimal point selectable
- 4 Alarms output / Analog output (15 bit resolution) / RS-485 communication optional (The above options can exist together)
- High stability, non-flammable case (PC), high safety
- CE approval

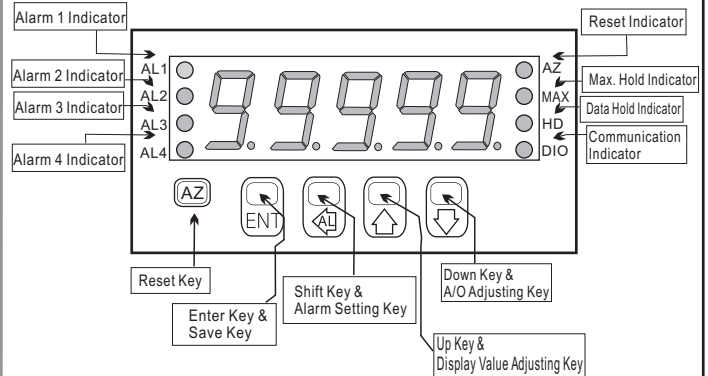
ORDER INFORMATION: DC5M-T- Code 1 - Code 2 - Code 3 Code 4 Code 5

Code 1	Code 2	Code 3	Code 4	Code 5
Input Type	Aux. Power	Alarm Output	Analog Output	RS-485
B 200~1800°C	A AC/DC100~240V	N None	N None	N None
E -185~900°C	C DC 22~60V	R2 2 Relays	A 4~20mA	Y Yes
J -200~200°C		R3 3 Relays	V 0~10V	
K -200~1360°C		R4 4 Relays	O Option	
R 0~1760°C		O2 2 Open Collect		
S 0~1750°C		O3 3 Open Collect		
T -200~395°C		O4 4 Open Collect		

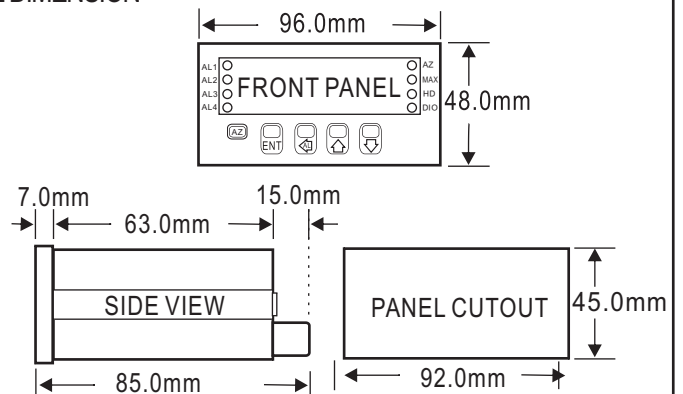
SPECIFICATION

- ◆ Accuracy: $\pm 0.2\%$ F.S. $\pm 0.5^\circ\text{C}$ (Cold junction compensation)
- ◆ Display Screen: High brightness red LED; 20.3mm(0.8")
- ◆ Sampling Cycle: 16 cycles / sec (AVG=1)
- ◆ Display Range: -19999~99999
- ◆ Zero Adjustment: -19999~99999
- ◆ Over Range Indication: doFL / ioFL or -doFL / -ioFL
- ◆ Polarity Indication: Automatic with "-" indication
- ◆ Parameters Setting: Push buttons
- ◆ Back Up Memory: EEPROM
- ◆ Alarm Action: " \geq (Hi) on" or "< (Lo) on"
- ◆ Alarm Run Delay Time: 0~99 sec
- ◆ Relay Contact: AC 277V / 7A; DC 30V / 7A
- ◆ Analog Output Resolution: 15 bit
- ◆ Output Response Time: <250 msec (0~90%)
- ◆ Output Capability: Voltage Output: <20mA
Current Output: <10V
- ◆ Communication: RS-485 Modbus RTU mode
- ◆ Baud Rate: 19200 / 9600 / 4800 / 2400 bps
- ◆ Parity Check: n.8.2. / n.8.1. / odd / even
- ◆ Temperature Coefficient: 100ppm / °C (0~60°C)
- ◆ Operating Temperature: 0~60°C
- ◆ Operating Humidity: 20~90% RH (non-condensing)
- ◆ Storage Temperature: -10~70°C
- ◆ Storage Humidity: 20~90% RH (non-condensing)
- ◆ Power Supply: AC/DC 100~240V; DC 22~60V
- ◆ Power Consumption: 8.5VA (all functions output)
- ◆ Surge Test: 2KVac / 1min (Input / Power)
- ◆ Dimensions: 96(W)*48(H)*82(D) mm
- ◆ Weight: About 500 g

FRONT PANEL & KEY FUNCTIONS



DIMENSION



WIRING CONNECTION

